

# *EcoStream 45* Natural Intake

---



MoffittCorp.com | (800) 474-3267  
1351 13th Ave S. Suite 130  
Jacksonville Beach, FL 32250



# EcoStream 45 Natural Intake Ventilation

---

## EcoStream 45 Table of Contents

EcoStream 45 Table of Contents.....	2
EcoStream 45° Louver Comparison .....	3
LV1045-4 - Fixed "J" Blade 45° Louver Product Details .....	4
LV1045-4 - Fixed "J" Blade 45° Louver Performance Data .....	5
LV1045-6 - Fixed "J" Blade 45° Louver Product Details .....	6
LV1045-6 - Fixed "J" Blade 45° Louver Performance Data .....	7
LV3045-4 - Fixed Drainable 45° Louver Product Details .....	8
LV3045-4 - Fixed Drainable 45° Louver Performance Data .....	9
LV3045-6 - Fixed Drainable 45° Louver Product Details .....	10
LV4045-4 - Adjustable "J" Blade 45° Louver Product Details.....	11
LV4045-4 - Adjustable "J" Blade 45° Louver Performance Data.....	12
LV4045-6 - Adjustable "J" Blade 45° Louver Product Details.....	13
LV4045-6 - Adjustable "J" Blade 45° Louver Performance Data.....	14
LV6045-4 - Adjustable Drainable 45° Louver Product Details .....	15
LV6045-4 - Adjustable Drainable 45° Louver Performance Data.....	16
LV6045-6 - Adjustable Drainable 45° Louver Product Details .....	17
LV6045-6 - Adjustable Drainable 45° Louver Performance Data.....	18

# **EcoStream 45** Natural Intake Ventilation

---

## **EcoStream 45° Louver Comparison**

Moffitt EcoStream wall louvers are available in 4 different models. They are all designed to provide maximum free area with minimal pressure drop and water entrainment. Each model listed has been tested to withstand the rigors of the industrial environment.

See below to learn more about the differences between each one.

### **LV1045**

- Fixed Blades
- “J” Blades
- 4”-6” deep
- Max. Size: 96” wide x 72” high

### **LV3045**

- Fixed Blades
- Drainable Blades
- 4”-6” deep
- Drainable Blades
- Max. Size: 96” wide x 72” high (single section)\*

### **LV4045**

- Adjustable Blades
- “J” Blades
- 4-6” deep
- Drainable Blades
- Max. Size: 48” wide x 72” high (single section)\*

### **LV6045**

- Adjustable Blades
- Drainable Blades
- 4-6” deep
- Max size: 60" wide x 96" high (single section)\*

*\*Multiple louver sets can be bolted together up to 120" w x 84" h or 84" w x 120" h: Factory assembled multi-section max: 108" w x 48" h, larger sizes are field assembled.*

All specifications are subject to change without notice unless approved in submittal by Moffitt

---

# EcoStream 45 Natural Intake Ventilation

## LV1045-4 - Fixed "J" Blade 45° Louver Product Details

### PRODUCT DETAILS

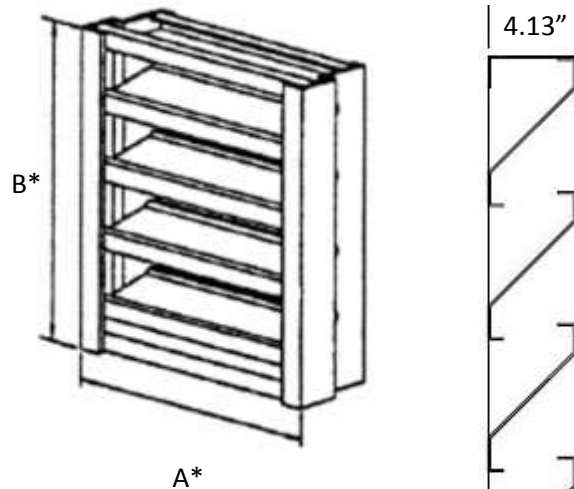
EcoStream LV1045-4 fixed "J" blade 45° Wall Louvers are fabricated to meet the rigors of heavy industry. They are designed to provide maximum free area with minimal pressure drop and water entrainment.

### STANDARD FEATURES

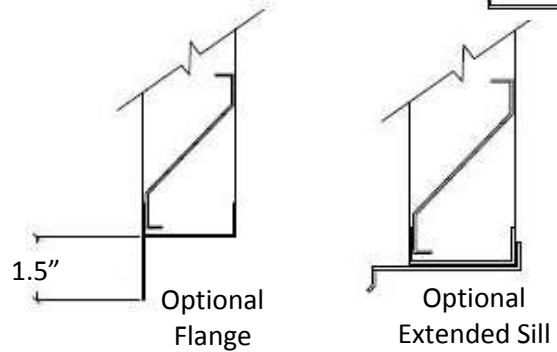
- Frame: 4" deep
- Blades: "J" style, 18 ga. Galvanized steel, riveted to frame
- Screen: 0.50" x 0.050" expanded flattened aluminum in removable frame. Screen mounted on inside (rear)
- Min. Size: 8" wide x 10" high
- Max. Size: 96" wide x 72" high
- Mullion Covers (outside only)
- Mounting slips and fasteners

### OPTIONAL FEATURES

- 1.5" Face Flange
- Custom Flange
- Extended Sill
- Materials:
  - Aluminum
  - Stainless Steel
- Screen:
  - Aluminum insect, 3/4" mesh
  - Expanded alum., 1/2" mesh
  - Stainless steel
- Finish:
  - Vinyl acrylic paint
  - Epoxy coating
- Mullion covers for multiple installations
- Mounting clips and fasteners



\*NOTE: Opening size is normally 1/4" larger than louver size. Structural support of louver in opening by others. Screen adds approximately 1/2" deep



Mark	QTY	Louver Size		Job Description
		A' Width	B' Height	

All specifications are subject to change without notice unless approved in submittal by Moffitt

# EcoStream 45 Natural Intake Ventilation

## LV1045-4 - Fixed "J" Blade 45° Louver Performance Data

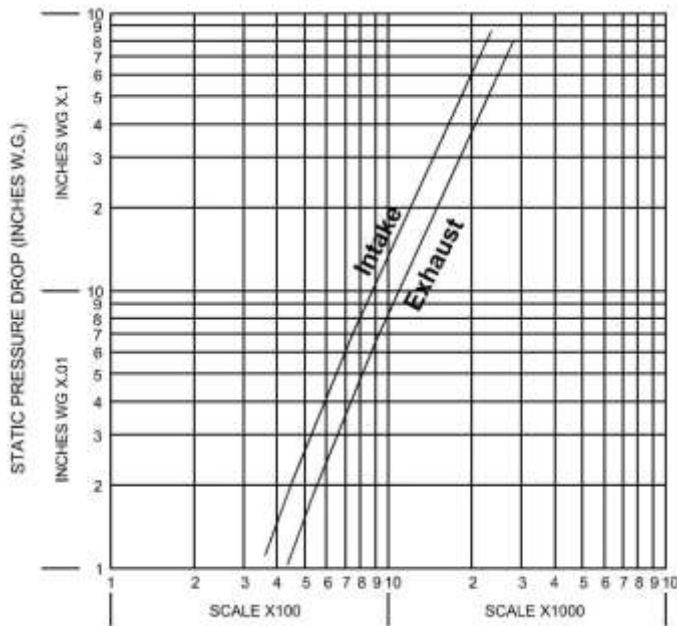
Moffitt EcoStream 1045-4 fixed "J" blade wall louvers are designed to drain water down the jamb channels and out over the sill blades. It is recommended that these velocities do not exceed 896 FPM.

### FREE AREA CHART

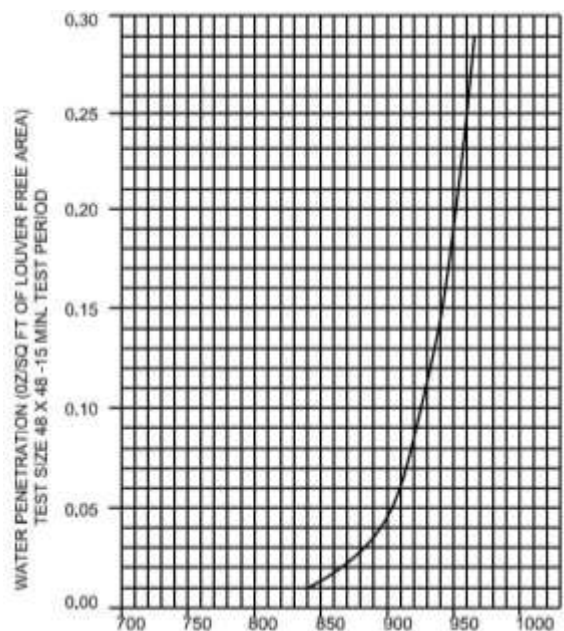
Height (Inches)	Width (Inches)									
	8	12	18	24	30	38	42	48	54	60
10	0.07	0.11	0.19	0.26	0.34	0.41	0.49	0.56	0.64	0.71
12	0.13	0.23	0.38	0.53	0.68	0.83	0.98	1.13	1.28	1.43
18	0.23	0.41	0.67	0.93	1.20	1.46	1.73	1.99	2.25	2.52
24	0.38	0.87	1.10	1.54	1.97	2.40	2.84	3.27	3.70	4.14
30	0.48	0.84	1.39	1.94	2.49	3.04	3.58	4.13	4.68	5.23
36	0.63	1.11	1.82	2.54	3.28	3.98	4.89	5.41	6.13	6.85
42	0.73	1.28	2.11	2.95	3.78	4.81	5.44	6.27	7.11	7.94
48	0.88	1.54	2.55	3.55	4.55	5.55	6.55	7.55	8.56	9.56
54	0.98	1.72	2.84	3.95	5.07	6.18	7.30	8.42	9.53	10.65
60	1.12	1.98	3.27	4.55	5.84	7.12	8.41	9.70	10.98	12.27
66	1.22	2.16	3.56	4.96	6.36	7.76	9.16	10.56	11.96	13.36
72	1.37	2.42	3.99	5.56	7.13	8.70	10.27	11.84	13.41	14.98
78	1.47	2.60	4.28	5.96	7.65	9.33	11.02	12.70	14.38	16.07
84	1.62	2.86	4.71	6.57	8.42	10.27	12.13	13.98	15.83	17.69
90	1.72	3.03	5.00	6.97	8.94	10.91	12.87	14.84	16.81	18.78
96	1.87	3.30	5.43	7.57	9.71	11.85	13.98	16.12	18.26	20.40

NOTE: Ratings do not include the effect of bird screen.

### AIR FLOW RESISTANCE



### WATER PENETRATION



Free Area Velocity (FT/MIN) – Based on Standard Air 0.75 lb/ft<sup>3</sup>. – Test Size 48" x 48"

All specifications are subject to change without notice unless approved in submittal by Moffitt

# EcoStream 45 Natural Intake Ventilation

## LV1045-6 - Fixed "J" Blade 45° Louver Product Details

### PRODUCT DETAILS

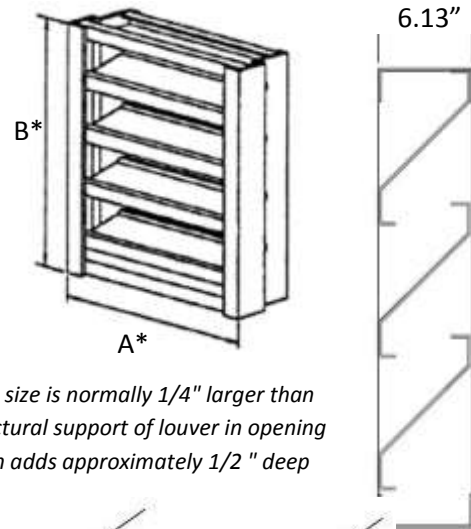
EcoStream LV1045-6 fixed "J" blade 45° Wall Louvers are fabricated to meet the rigors of heavy industry. They are designed to provide maximum free area with minimal pressure drop and water entrainment.

### STANDARD FEATURES

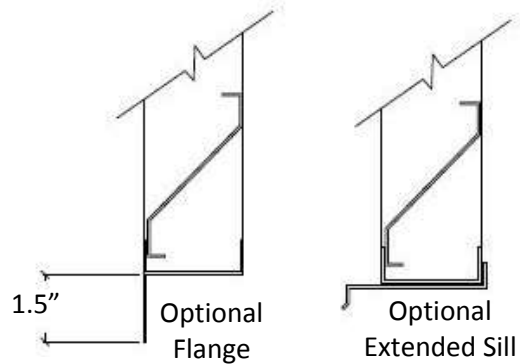
- Frame: 6" deep
- Blades: "J" style, 18 ga. Galvanized steel, riveted to frame
- Screen: 0.50" x 0.050" expanded flattened aluminum in removable frame. Screen mounted on inside (rear)
- Min. Size: 8" wide x 12" high
- Max. Size: 96" wide x 72" high
- Mullion Covers (outside only)
- Mounting slips and fasteners

### OPTIONAL FEATURES

- 1.5" Face Flange
- Custom Flange
- Extended Sill
- Materials:
  - Aluminum
  - Stainless Steel
- Screen:
  - Aluminum insect, 3/4" mesh
  - Expanded alum., 1/2" mesh
  - Stainless steel
- Finish:
  - Vinyl acrylic paint
  - Epoxy coating
- Mullion covers for multiple installations
- Mounting clips and fasteners



*\*NOTE: Opening size is normally 1/4" larger than louver size. Structural support of louver in opening by others. Screen adds approximately 1/2" deep*



Mark	QTY	Louver Size		Job Description
		A' Width	B' Height	

All specifications are subject to change without notice unless approved in submittal by Moffitt

# EcoStream 45 Natural Intake Ventilation

## LV1045-6 - Fixed "J" Blade 45° Louver Performance Data

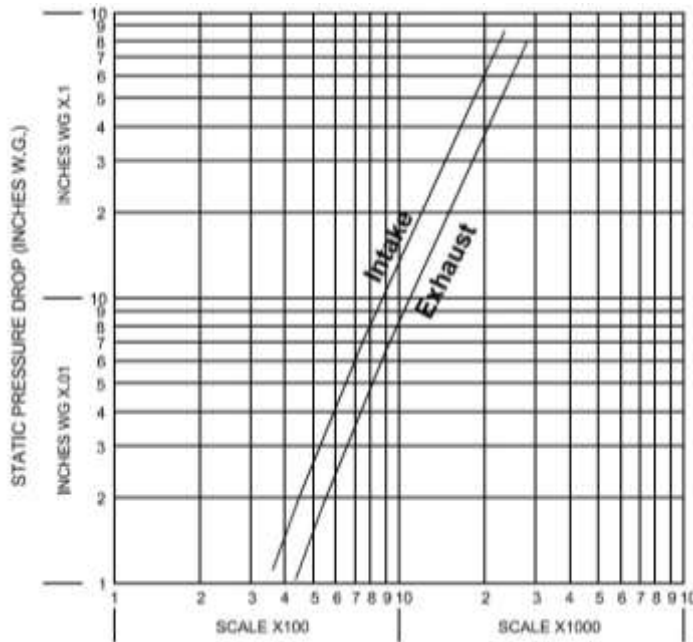
Moffitt EcoStream 1045-6 fixed "J" blade wall louvers are designed to drain water down the jamb channels and out over the sill blades. It is recommended that these velocities do not exceed 896 FPM.

### FREE AREA CHART

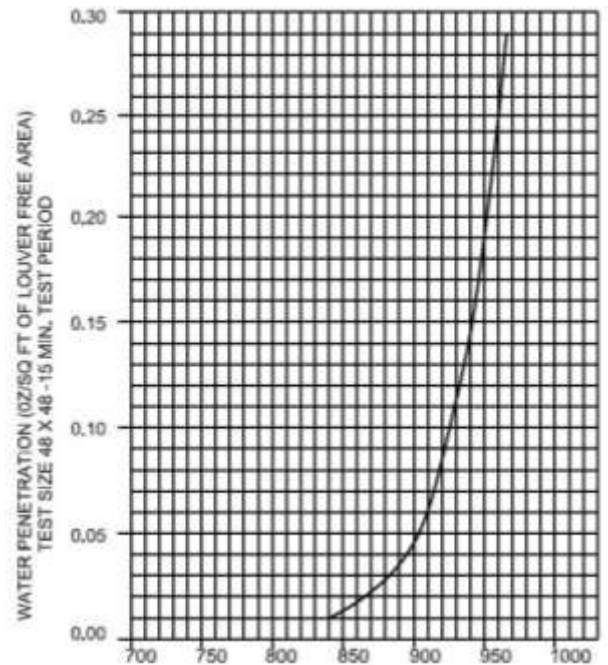
Height (Inches)	Width (Inches)									
	8	12	18	24	30	38	42	48	54	60
12	0.1	0.11	0.3	0.41	0.53	0.65	0.77	0.88	1	1.12
18	0.22	0.23	0.65	0.9	1.16	1.41	1.67	1.92	2.18	2.43
24	0.34	0.41	1	1.39	1.79	2.18	2.57	2.97	3.36	3.75
30	0.48	0.67	1.35	1.88	2.41	2.94	3.48	4.01	4.54	5.07
36	0.59	0.84	1.7	2.37	3.04	3.71	4.38	5.05	5.72	6.39
42	0.74	1.11	2.15	2.99	3.83	4.68	5.52	6.37	7.21	8.06
48	0.58	1.28	2.55	3.55	4.56	5.56	6.56	7.57	8.57	9.57
54	1.02	1.54	2.95	4.12	5.28	6.44	7.6	8.77	9.93	11.09
60	1.18	1.72	3.36	4.68	6	7.32	8.84	9.96	11.29	12.61
66	1.30	1.98	3.76	5.24	6.72	8.2	9.68	11.16	12.64	14.12
72	1.43	2.16	4.16	5.8	7.43	9.07	10.7	12.34	13.98	15.81
78	1.55	2.42	4.51	6.28	8.06	9.83	11.61	13.38	15.16	16.93
84	1.67	2.6	4.86	6.77	8.69	10.6	12.51	14.42	16.34	18.25
90	1.79	2.86	5.21	7.26	9.31	11.36	13.42	15.47	17.52	19.57
96	1.92	3.03	5.56	7.75	9.94	12.13	14.32	16.51	18.7	20.89

*NOTE: Ratings do not include the effect of bird screen.*

### AIR FLOW RESISTANCE



### WATER PENETRATION



**Free Area Velocity (FT/MIN) – Based on Standard Air 0.75 lb/ft<sup>3</sup>. – Test Size 48" x 48"**

All specifications are subject to change without notice unless approved in submittal by Moffitt

# EcoStream 45 Natural Intake Ventilation

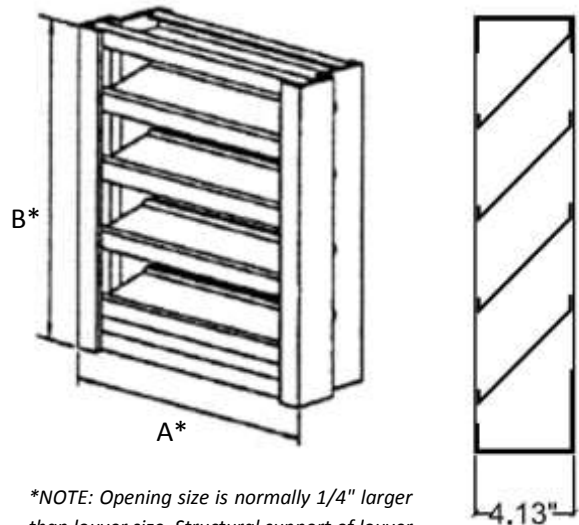
## LV3045-4 - Fixed Drainable 45° Louver Product Details

### PRODUCT DETAILS

EcoStream LV3045-4 fixed drainable 45° louvers are fabricated to meet the rigors of heavy industry. They are built to provide maximum free area with minimal pressure drop and water entrainment.

### STANDARD FEATURES

- Frames: 4" deep, 18 ga. Galvanized Steel
- Drainable Blades, 18 ga. Galvanized Steel
- Min. Size: 8" × 12" (single panel)
- Max. Size: 96" × 72" (single panel)
- Mill Galvanized finish
- Mullion Covers (outside only)
- Mounting Clips & Fasteners
- Screen:
  - 3/4" mesh, 20ga. Galvanized (LV3045-4)
  - 1/2" mesh 19ga. Galvanized (LV3045-6)

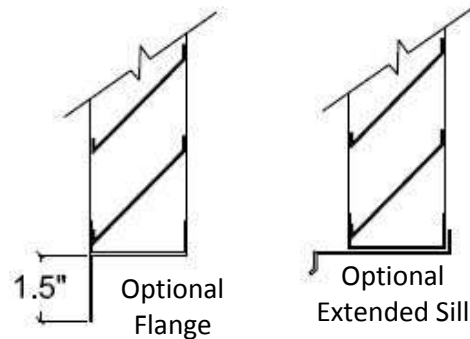


*\*NOTE: Opening size is normally 1/4" larger than louver size. Structural support of louver in opening by others.*

*Screen adds approximately 1/2" deep.*

### OPTIONAL FEATURES

- Flanged Frame
- Extended Sill
- Materials: Stainless Steel
- Seals: Blade Seals or Stainless steel jamb seals
- Screen:
  - Aluminum insect, 3/4" mesh
  - Expanded alum., 1/2" mesh
  - Stainless steel, 1/2" mesh
- Finish:
  - Vinyl acrylic paint
  - Epoxy coating
- Operator: Manual chain pull, hand crank, 115v motor, Hand wheel / Jack-shafting
- 1.5" Face Flange



### INDUSTRY APPLICATIONS

- Forges, Foundries, & Casters
- General Manufacturing
- Chemical Plants
- Mine Processing
- Glass Plants
- Power Plants
- Warehouses

Mark	QTY	Louver Size		Job Description
		A' Width	B' Height	

All specifications are subject to change without notice unless approved in submittal by Moffitt



# EcoStream 45 Natural Intake Ventilation

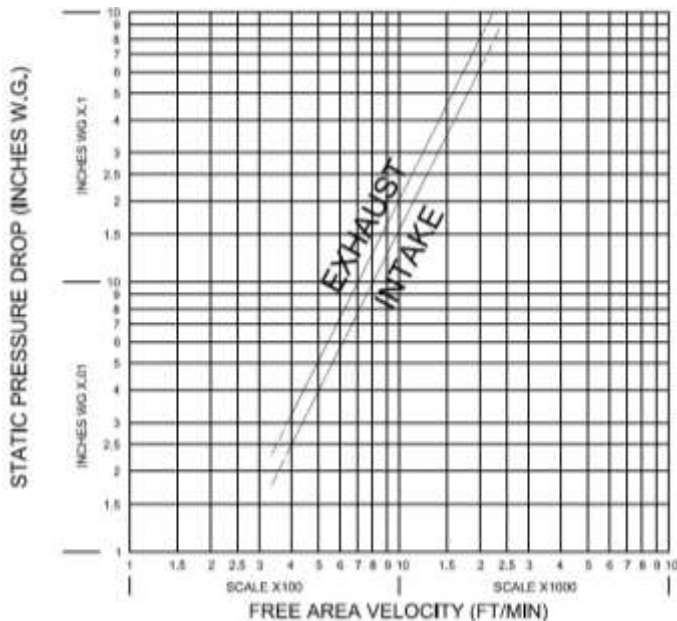
## LV3045-4 - Fixed Drainable 45° Louver Performance Data

Moffitt EcoStream LV3045-4 wall louvers are 4" deep, and sit at 45° angles. The drainable blade design allows free area velocities to be higher than conventional blades. It is recommended that these velocities do not exceed 1056 FPM.

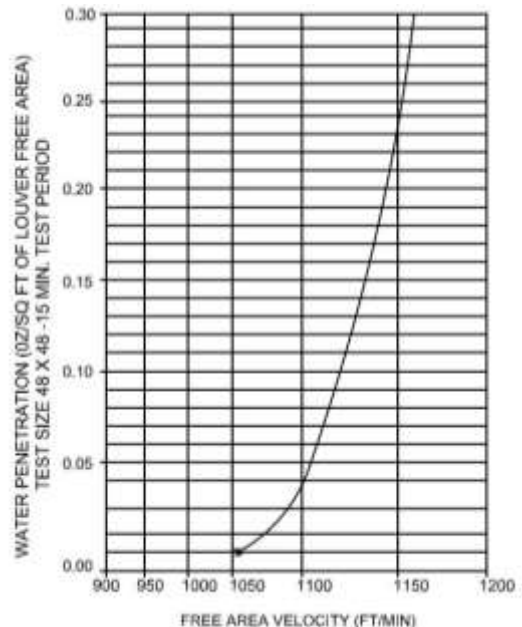
### FREE AREA CHART

Height (Inches)	Width (Inches)															
	12	18	24	30	36	42	48	54	60	66	72	78	84	90	96	
12	0.47	0.7	0.93	1.17	1.4	1.63	1.87	2.1	2.33	2.57	2.8	3.03	3.27	3.51	3.72	
18	0.7	1.05	1.4	1.75	2.1	2.45	2.8	3.15	3.5	3.85	4.2	4.52	4.91	5.23	5.61	
24	0.93	1.4	1.87	2.33	2.8	3.27	3.73	4.2	4.67	5.13	5.6	6.05	6.51	7.02	7.48	
30	1.17	1.75	2.33	2.92	3.5	4.08	4.67	5.25	5.84	6.42	7	7.55	8.14	8.76	9.36	
36	1.4	2.1	2.8	3.5	4.2	4.9	5.6	6.3	7	7.7	8.4	9.06	9.76	10.52	11.24	
42	1.63	2.45	3.27	4.08	4.9	5.72	6.54	7.35	8.17	8.99	9.8	10.57	11.38	12.27	13.12	
48	1.87	2.8	3.73	4.67	5.6	6.54	7.47	8.4	9.34	10.27	11.2	12.08	13	14.03	15	
54	2.1	3.15	4.2	5.25	6.3	7.35	8.4	9.45	10.5	11.55	12.6	13.59	14.62	15.78	16.88	
60	2.33	3.5	4.67	5.84	7	8.17	9.34	10.5	11.67	12.84	14	15.1	16.24	17.54	18.76	
66	2.57	3.85	5.13	6.42	7.7	8.99	10.27	11.55	12.84	14.12	15.4	16.61	17.86	19.29	20.64	
72	2.8	4.2	5.6	7	8.4	9.8	11.2	12.6	14	15.4	16.8	18.12	19.48	21.05	22.52	

### AIR FLOW RESISTANCE



### WATER PENETRATION



All specifications are subject to change without notice unless approved in submittal by Moffitt

# EcoStream 45 Natural Intake Ventilation

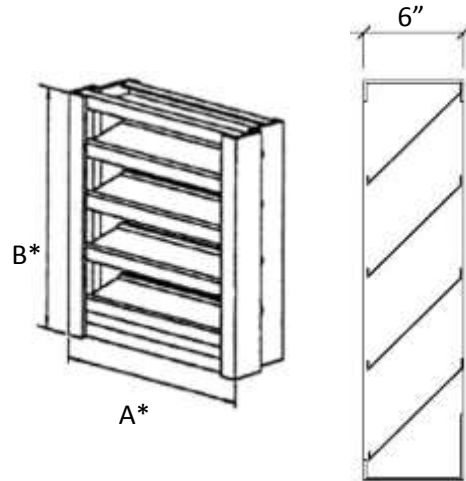
## LV3045-6 - Fixed Drainable 45° Louver Product Details

### PRODUCT DETAILS

EcoStream LV3045-4 fixed drainable 45° louvers are fabricated to meet the rigors of heavy industry. They are built to provide maximum free area with minimal pressure drop and water entrainment.

### STANDARD FEATURES

- Frames 6" deep, 18 ga. Galvanized Steel
- Drainable Blades, 18 ga. Galvanized Steel
- Min. Size: 8" × 12" (single panel)
- Max. Size: 96" × 72" (single panel)
- Mill Galvanized finish
- Mullion Covers (outside only)
- Mounting Clips & Fasteners
- Screen:
  - 3/4" mesh, 20ga. Galvanized (LV3045-4)
  - 1/2" mesh 19 ga. Galvanized (LV3045-6)

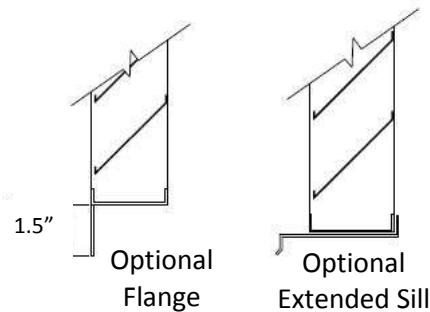


### OPTIONAL FEATURES

- Flanged Frame
- Extended Sill
- Materials: Aluminum or Stainless Steel
- Seals: Blade Seals or Stainless steel jamb seals
- Screen:
  - Aluminum insect, 3/4" mesh
  - Expanded alum., 1/2" mesh
  - Stainless steel, 1/2" mesh
- Finish:
  - Vinyl acrylic paint
  - Epoxy coating
- Operator: Manual chain pull, hand crank, 115v motor, Hand wheel / Jack-shafting
- 1.5" Face Flange

*\*NOTE: Opening size is normally 1/4" larger than louver size. Structural support of louver in opening by others.*

*Screen adds approximately 1/2" deep.*



### INDUSTRY APPLICATIONS

- Forges, Foundries, & Casters
- General Manufacturing
- Chemical Plants
- Mine Processing
- Glass Plants
- Power Plants
- Warehouses

Mark	QTY	Louver Size		Job Description
		A' Width	B' Height	

All specifications are subject to change without notice unless approved in submittal by Moffitt

# EcoStream 45 Natural Intake Ventilation

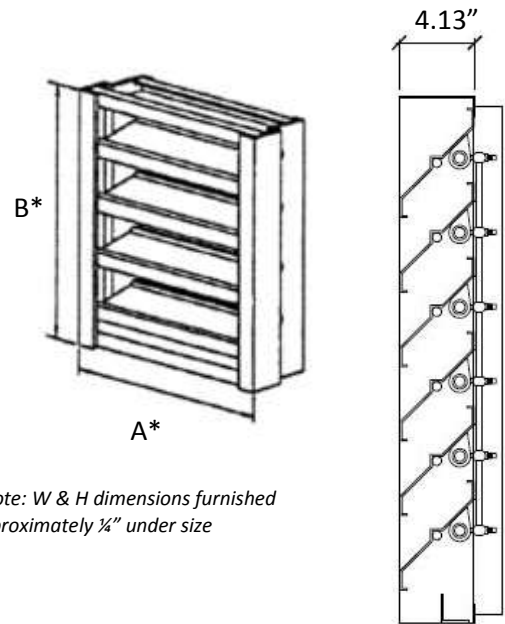
## LV4045-4 - Adjustable "J" Blade 45° Louver Product Details

### PRODUCT DESCRIPTION

Moffitt EcoStream LV4045-4 Adjustable "J" Blade Wall Louvers are especially fabricated to meet the rigors of heavy industry. Moffitt louvers are designed to provide maximum free area with minimal pressure drop and water entrainment. These louvers have been successfully used in many applications.

### STANDARD FEATURES

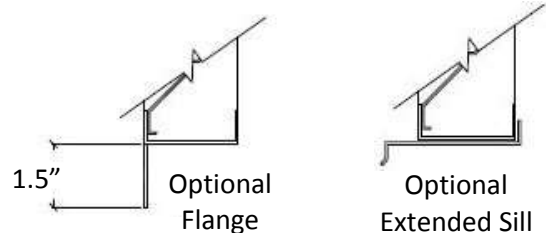
- Frame: 4" deep channel
- Blades: 18 ga. Galvanized steel, positioned at 45° angles
- Screen: 0.50" x 0.050" expanded flattened aluminum in Removable frame. Screen is mounted on inside (rear)
- Pivots: 1/2" diameter plated steel
- Finish: Mill galvanized
- Bearings: Heavy-duty, self-lubricating nylon
- Linkage: Plated steel brackets, brass pivots and 5/16" diameter plated steel linkage rod
- Operator: Louvers without actuators will be supplied with locking quadrants.
- Min. Size: 8" wide x 10" high
- Max. Size: 48" wide x 72" high
- Mullion Covers (outside only)
- Mounting Clips and Fasteners



*\*Note: W & H dimensions furnished approximately 1/4" under size*

### OPTIONAL FEATURES

- Frame: 1 1/2" Face Flange
- Materials: Aluminum or Stainless Steel
- Screen:
  - Aluminum Insect
  - Expanded Aluminum
  - Stainless Steel
- Finish: Powder Coat to color match



### INDUSTRIAL APPLICATIONS

- Steel & Aluminum Plants
- Glass Plants
- Power Plants
- General Manufacturing
- Chemical Plants
- Mine Processing Plants
- Warehouses
- Pulp and Paper Plants
- Gypsum Wallboard Plants

Mark	QTY	Louver Size		Job Description
		A' Width	B' Height	

All specifications are subject to change without notice unless approved in submittal by Moffitt

# EcoStream 45 Natural Intake Ventilation

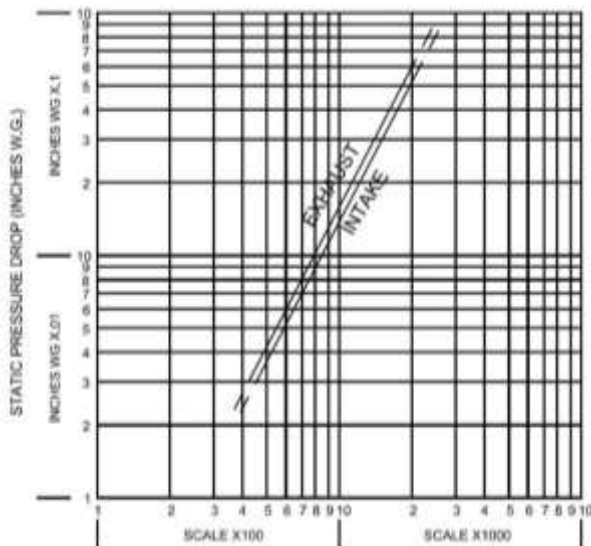
## LV4045-4 - Adjustable “J” Blade 45° Louver Performance Data

EcoStream 45° “J” Blade wall louvers are 4” deep. They are designed to drain water down the jamb channels and out over the sill blades. The drainable blade design allows free area velocities to be higher than conventional blades. It is recommended that these velocities do not exceed 840 FPM.

### FREE AREA CHART

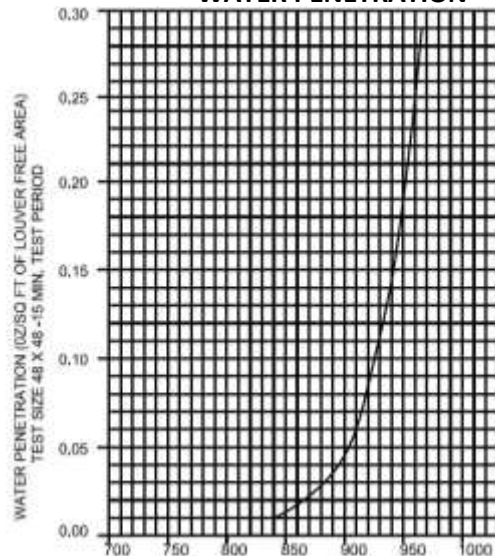
Louver Height (Inches)	Louver Width (Inches)								
	12	18	24	30	36	42	48	54	60
12	0.07	0.11	0.19	0.26	0.34	0.41	0.49	0.56	0.64
18	0.13	0.23	0.38	0.53	0.68	0.83	0.98	1.13	1.28
24	0.23	0.41	0.67	0.93	1.20	1.46	1.73	1.99	2.25
30	0.38	0.67	1.10	1.54	1.97	2.40	2.64	3.27	3.70
36	0.48	0.84	1.39	1.94	2.49	3.04	3.58	4.13	4.68
42	0.63	1.11	1.82	2.54	3.26	3.98	4.69	5.41	6.13
48	0.73	1.28	2.11	2.95	3.78	4.61	5.44	6.27	7.11
54	0.88	1.54	2.55	3.55	4.55	5.55	6.55	7.55	8.56
60	0.98	1.72	2.84	3.95	5.07	6.18	7.30	8.42	9.53
66	1.12	1.98	3.27	4.55	5.84	7.12	8.41	9.70	10.98
72	1.22	2.16	3.56	4.96	6.36	7.76	9.16	10.56	11.96
78	1.37	2.42	3.99	5.56	7.13	8.70	10.27	11.84	13.41
84	1.47	2.60	4.28	5.96	7.65	9.33	11.02	12.70	14.38
90	1.62	2.86	4.71	6.57	8.42	10.27	12.13	13.98	15.83
96	1.72	3.03	5.00	6.97	8.94	10.91	12.87	14.84	16.81

### AIR FLOW RESISTANCE



Free Area Velocity (FT/MIN) – Based on Standard Air 0.75 lb/ft<sup>3</sup>. – Test Size 48” x 48”

### WATER PENETRATION



All specifications are subject to change without notice unless approved in submittal by Moffitt

# EcoStream 45 Natural Intake Ventilation

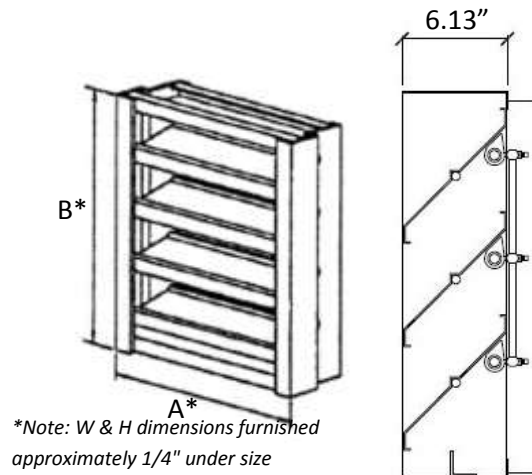
## LV4045-6 - Adjustable "J" Blade 45° Louver Product Details

### PRODUCT DESCRIPTION

Moffitt EcoStream LV4045-6 Adjustable "J" Blade Wall Louvers are especially fabricated to meet the rigors of heavy industry. Moffitt louvers are designed to provide maximum free area with minimal pressure drop and water entrainment. These louvers have been successfully used in many applications

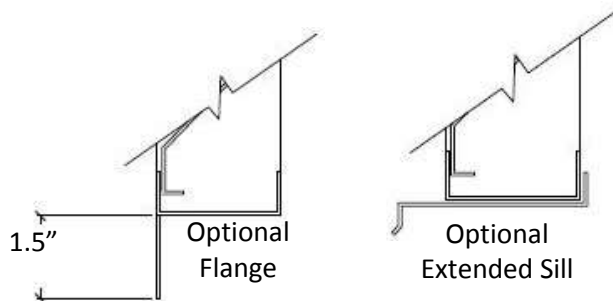
### STANDARD FEATURES

- Frame: 6" deep channel, 18 ga. Galvanized steel
- Blades: 18 ga. Galvanized steel, positioned at 45° angles
- Screen: 0.50" x 0.050" expanded flattened aluminum in Removable frame. Screen is mounted on inside (rear)
- Pivots: 1/2" diameter plated steel
- Finish: Mill galvanized
- Bearings: Heavy-duty, self-lubricating nylon
- Linkage: Plated steel brackets, brass pivots and 5/16" diameter plated steel linkage rod
- Operator: Louvers without actuators will be supplied with locking quadrants.
- Min. Size: 8" wide x 12" high
- Max. Size: 48" wide x 72" high
- Mullion Covers (outside only)
- Mounting Clips and Fasteners



### OPTIONAL FEATURES

- Frame: 1 1/2" Face Flange
- Materials: Aluminum or Stainless Steel
- Screen:
  - Aluminum Insect
  - Expanded Aluminum
  - Stainless Steel
- Finish: Powder Coat to color match
- Seals
  - Neoprene blade seals
  - Stainless steel jamb seals



### INDUSTRIAL APPLICATIONS

- Steel & Aluminum Plants
- Glass Plants
- Power Plants
- General Manufacturing
- Chemical Plants
- Mine Processing Plants
- Warehouses

All specifications are subject to change without notice unless approved in submittal by Moffitt

Mark	QTY	Louver Size		Job Description
		A' Width	B' Height	

# EcoStream 45 Natural Intake Ventilation

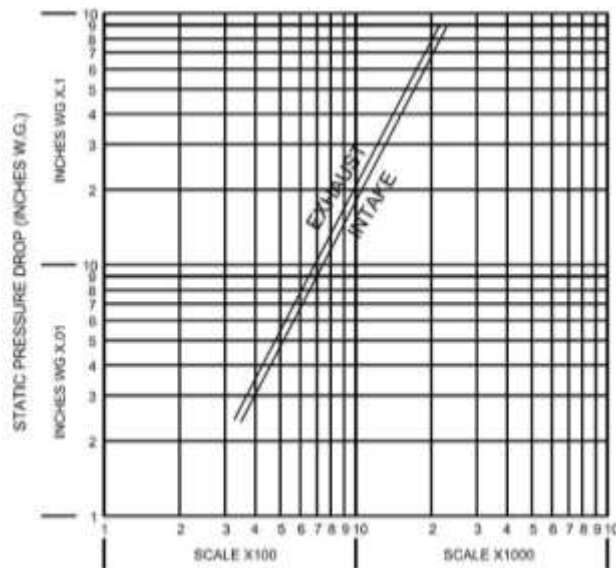
## LV4045-6 - Adjustable "J" Blade 45° Louver Performance Data

Moffitt EcoStream 45° "J" Blade wall louvers are 6" deep. They are designed to drain water down the jamb channels and out over the sill blades. The drainable blade design allows free area velocities to be higher than conventional blades. It is recommended that these velocities do not exceed 840 FPM.

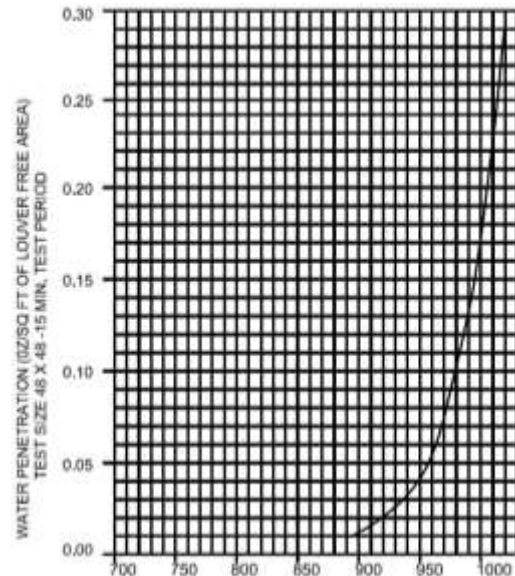
### FREE AREA CHART

Louver Height (Inches)	Louver Width (Inches)									
	8	12	18	24	30	36	42	48	54	60
12	0.1	0.11	0.3	0.41	0.53	0.65	0.77	0.88	1	1.12
18	0.22	0.23	0.65	0.90	1.16	1.41	1.67	1.92	2.18	2.43
24	0.34	0.41	1.00	1.39	1.79	2.18	2.57	2.97	3.36	3.75
30	0.411	0.67	1.35	1.88	2.41	2.94	3.411	4.01	4.114	5.07
36	0.511	0.84	1.7	2.37	3.04	3.71	4.38	5.05	5.72	5.39
42	0.74	1.11	2.15	2.99	3.83	4.68	5.52	6.37	7.21	5.06
48	0.88	1.28	2.55	3.55	4.56	5.56	6.56	7.57	5.57	9.57
54	1.02	1.114	2.95	4.12	5.28	8.44	7.80	8.77	9.93	11.09
60	1.16	1.72	3.36	4.68	5.00	7.32	8.64	9.96	11.29	12.81
66	1.30	1.98	3.76	5.24	5.72	5.20	9.88	11.18	12.84	14.12
72	1.43	2.18	4.18	5.80	7.43	9.07	10.70	12.34	13.98	15.81
78	1.115	2.42	4.51	6.28	5.06	9.83	11.61	13.38	15.16	16.93
84	1.67	2.110	4.86	6.77	5.69	10.60	12.51	14.42	16.34	18.25
90	1.79	2.86	5.21	7.26	9.31	11.38	13.42	15.47	17.52	19.57
96	1.92	3.03	5.511	7.75	9.94	12.13	14.32	16.51	15.70	20.89

### AIR FLOW RESISTANCE



### WATER PENETRATION



Free Area Velocity (FT/MIN) – Based on Standard Air 0.75 lb/ft<sup>3</sup>. – Test Size 48" x 48"

All specifications are subject to change without notice unless approved in submittal by Moffitt

# EcoStream 45 Natural Intake Ventilation

## LV6045-4 - Adjustable Drainable 45° Louver Product Details

### PRODUCT DESCRIPTION

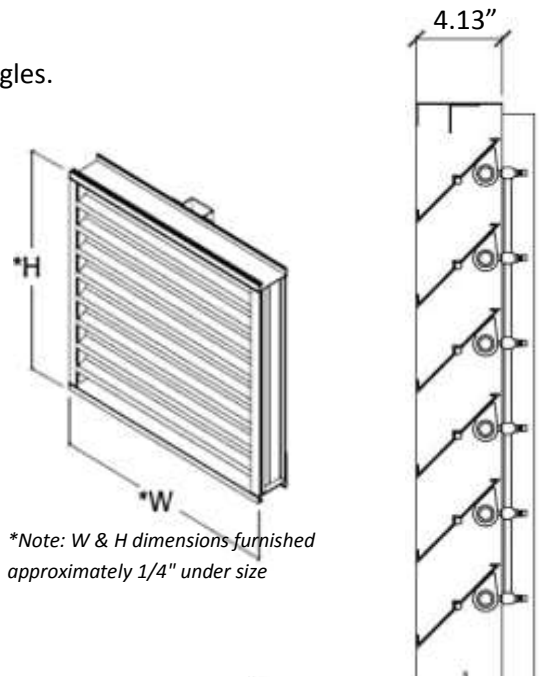
Moffitt EcoStream 45° adjustable drainable wall louvers provide great performance, architectural appeal and adaptability to many design applications. Made of extruded aluminum, this model incorporates drainable style blades and downspouts jamb gutter design for high performance.

### STANDARD FEATURES

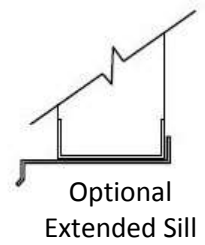
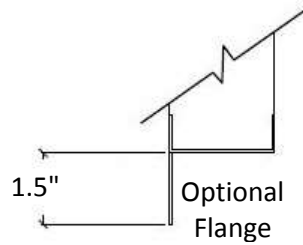
- Frame: 4" deep, 18 ga. Galvanized steel
- Blades: Drainable, adjustable blades positioned at 45° angles.
- Min Size: 8" wide x 10" high
- Max size: 60" wide x 96" high single section;  
*Multiple louvers can be bolted together up to 120" w x 84" h or 84" w x 120" h*
- Bird screen: .50" x .050" Flattened Aluminum in removable frame, mounted on inside (rear)
- Louvers without actuators will be supplied with locking quadrants
- Mounting Clips & Fasteners
- Integral jamb gutters and down spouts

### OPTIONAL FEATURES

- Flanged Frame
- Extended Sill
- Filter Racks (no screen)
- Security Bars
- Hinged Sub frame
- Screens (insect, etc.)
- Finish:
  - Baked Powder: Polyester, Fluoropolymer 70%, Clear Coat
  - Anodize: Clear, Color Anodize
- Seals: Blade Seals or Jamb seals
- 1.5" Face Flange



\*Note: W & H dimensions furnished approximately 1/4" under size



### INDUSTRIAL APPLICATIONS

- Steel & Aluminum Plants
- Glass Plants
- Power Plants
- General Manufacturing
- Chemical Plants
- Mine Processing Plants
- Warehouses
- Pulp and Paper Plants
- Gypsum Wallboard Plants

Mark	QTY	Louver Size		Job Description
		A' Width	B' Height	

All specifications are subject to change without notice unless approved in submittal by Moffitt

# EcoStream 45 Natural Intake Ventilation

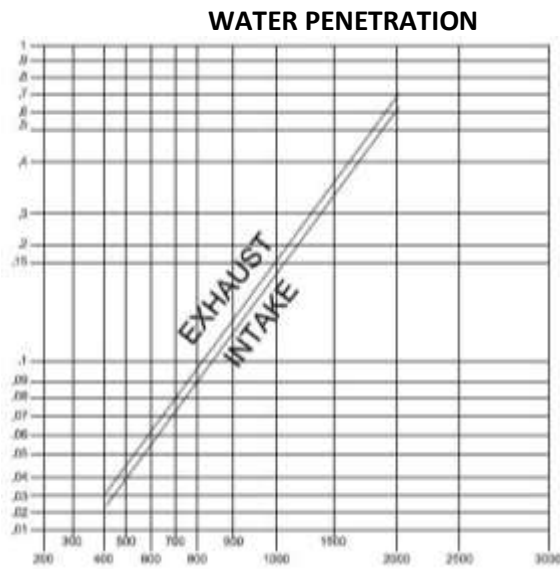
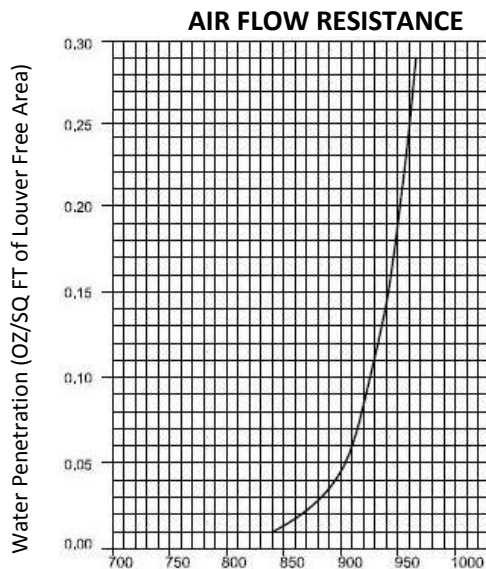
## LV6045-4 - Adjustable Drainable 45° Louver Performance Data

Moffitt EcoStream LV6045 wall louvers are designed to protect the outside opening in building exterior walls. This model incorporates drainable blade and downspouts jamb gutter design for high performance. Beginning point of water penetration is 840 FPM

### FREE AREA CHART

Louver Height (Inches)	Louver Width (Inches)									
	12	18	24	30	36	42	48	54	60	
12	0.23	0.38	0.53	0.68	0.83	0.98	1.13	1.28	1.43	
18	0.41	0.67	0.93	1.20	1.46	1.73	1.99	2.25	2.52	
24	0.67	1.10	1.54	1.97	2.40	2.64	3.27	3.70	4.14	
30	0.84	1.39	1.94	2.49	3.04	3.58	4.13	4.68	5.23	
36	1.11	1.82	2.54	3.26	3.98	4.69	5.41	6.13	6.85	
42	1.28	2.11	2.95	3.78	4.61	5.44	6.27	7.11	7.94	
48	1.54	2.55	3.55	4.55	5.55	6.55	7.55	8.56	9.56	
54	1.72	2.84	3.95	5.07	6.18	7.30	8.42	9.53	10.65	
60	1.98	3.27	4.55	5.84	7.12	8.41	9.70	10.98	12.27	
66	2.16	3.56	4.96	6.36	7.76	9.16	10.56	11.96	13.36	
72	2.42	3.99	5.56	7.13	8.70	10.27	11.84	13.41	14.98	
78	2.60	4.28	5.96	7.65	9.33	11.02	12.70	14.38	16.07	
84	2.86	4.71	6.57	8.42	10.27	12.13	13.98	15.83	17.69	
90	3.03	5.00	6.97	8.94	10.91	12.87	14.84	16.81	18.78	
96	3.30	5.43	7.57	9.71	11.85	13.98	16.12	18.26	20.40	

**NOTE:**  
Ratings do not include the effect of bird screen.



Free Area Velocity (FT/MIN) – Based on Standard Air 0.75 lb/ft<sup>3</sup>. – Test Size 48" x 48"

All specifications are subject to change without notice unless approved in submittal by Moffitt



# EcoStream 45 Natural Intake Ventilation

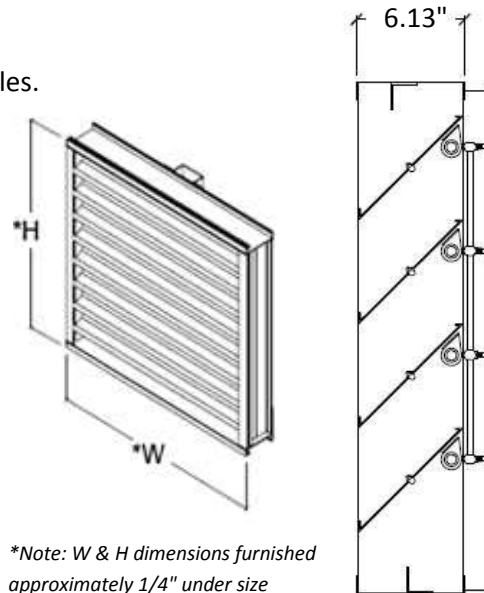
## LV6045-6 - Adjustable Drainable 45° Louver Product Details

### PRODUCT DESCRIPTION

Moffitt EcoStream 45° adjustable drainable wall louvers provide great performance, architectural appeal and adaptability to many design applications. Made of extruded aluminum, this model incorporates drainable style blades and downspouts jamb gutter design for high performance.

### STANDARD FEATURES

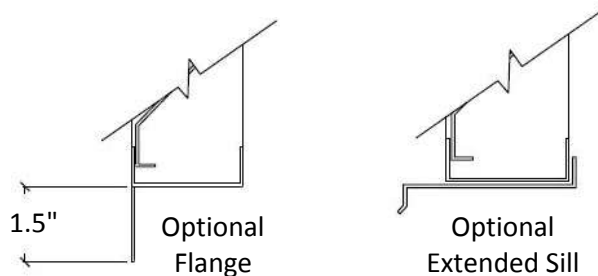
- Frame: 6" deep, 18 ga. Galvanized steel
- Blades: Drainable, adjustable blades positioned at 45° angles.
- Min Size: 8" wide x 12" high
- Max size: 60" wide x 96" high single section;  
*Multiple louvers can be bolted together up to 120" w x 84" h or 84" w x 120" h*
- Bird screen: .50" x .050" Flattened Aluminum in removable frame, mounted on inside (rear)
- Louvers without actuators will be supplied with locking quadrants
- Mounting Clips & Fasteners
- Integral jamb gutters and down spouts



\*Note: W & H dimensions furnished approximately 1/4" under size

### OPTIONAL FEATURES

- Flanged Frame
- Extended Sill
- Filter Racks (no screen)
- Security Bars
- Hinged Sub frame
- Screen: Insect (aluminum 18-16 Mesh)
- Finish:
  - Baked Powder; Polyester, Fluoropolymer 70%, Clear Coat
  - Anodize; Clear or Integral Color
- Seals: Blade Seals or Jamb seals
- 1.5" Face Flange



\*Note: W & H dimensions furnished approximately 1/4" under size

### INDUSTRIAL APPLICATIONS

- Steel & Aluminum Plants
- Glass Plants
- Power Plants
- General Manufacturing
- Chemical Plants
- Warehouses
- Pulp and Paper Plants
- Gypsum Wallboard Plants
- Plastics Plants

Mark	QTY	Louver Size		Job Description
		A' Width	B' Height	

All specifications are subject to change without notice unless approved in submittal by Moffitt

# EcoStream 45 Natural Intake Ventilation

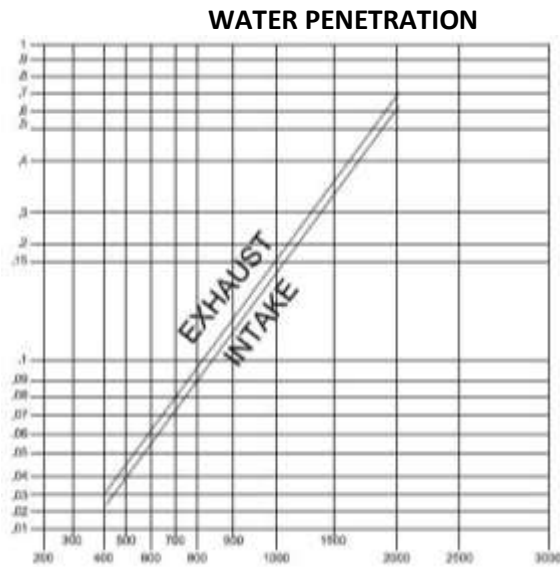
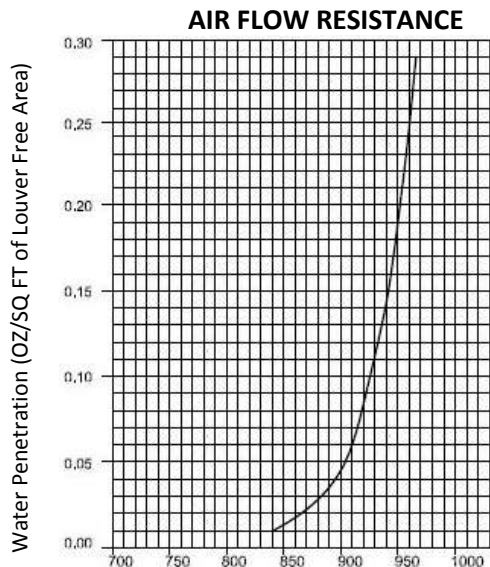
## LV6045-6 - Adjustable Drainable 45° Louver Performance Data

Moffitt EcoStream LV6045 wall louvers are designed to protect the outside opening in building exterior walls. This model incorporates drainable blade and downspouts jamb gutter design for high performance. Beginning point of water penetration is 840 FPM

### FREE AREA CHART

Louver Height (Inches)	Louver Width (Inches)								
	12	18	24	30	36	42	48	54	60
12	0.23	0.38	0.53	0.68	0.83	0.98	1.13	1.28	1.43
18	0.41	0.67	0.93	1.20	1.46	1.73	1.99	2.25	2.52
24	0.67	1.10	1.54	1.97	2.40	2.64	3.27	3.70	4.14
30	0.84	1.39	1.94	2.49	3.04	3.58	4.13	4.68	5.23
36	1.11	1.82	2.54	3.26	3.98	4.69	5.41	6.13	6.85
42	1.28	2.11	2.95	3.78	4.61	5.44	6.27	7.11	7.94
48	1.54	2.55	3.55	4.55	5.55	6.55	7.55	8.56	9.56
54	1.72	2.84	3.95	5.07	6.18	7.30	8.42	9.53	10.65
60	1.98	3.27	4.55	5.84	7.12	8.41	9.70	10.98	12.27
66	2.16	3.56	4.96	6.36	7.76	9.16	10.56	11.96	13.36
72	2.42	3.99	5.56	7.13	8.70	10.27	11.84	13.41	14.98
78	2.60	4.28	5.96	7.65	9.33	11.02	12.70	14.38	16.07
84	2.86	4.71	6.57	8.42	10.27	12.13	13.98	15.83	17.69
90	3.03	5.00	6.97	8.94	10.91	12.87	14.84	16.81	18.78
96	3.30	5.43	7.57	9.71	11.85	13.98	16.12	18.26	20.40

**NOTE:**  
Ratings do not include the effect of bird screen.



Free Area Velocity (FT/MIN) – Based on Standard Air 0.75 lb/ft<sup>3</sup>. – Test Size 48" x 48"

All specifications are subject to change without notice unless approved in submittal by Moffitt