

HT380

Direct Fired Heater



MoffittCorp.com | (800) 474-3267
1351 13th Ave S. Suite 130
Jacksonville Beach, FL 32250

 **MOFFITT CORPORATION**
NATURAL VENTILATION SOLUTIONS

HT380 Direct Fire Heater Table of Contents

HT380 Direct Fired Heaters Product Details	2
HT380 Single Blower Models- Sizes 109 & 130 Horizontal Arrangement.....	3
HT380 Single Blower Models - Sizes 109 & 130 Horizontal Arrangement Dimensional Data	4
HT380 Twin Blower Models- Sizes 215-230 Horizontal Arrangement.....	5
HT380 Twin Blower Models - Sizes 215-230 Horizontal Arrangement Dimensional Data	6
HT380 Twin Blower Models- Sizes 233 & 240 Horizontal Arrangement	7
HT380 Twin Blower Models - Sizes 233 & 240 Horizontal Arrangement Dimensional Data	8
HT380 Roof Curbs for 100% Make-Up Air Units	9
HT380 Roof Curbs - Cooling Information	10
Roof Curbs for Base Units with Return Air, after Burner	11
Roof Curbs for Base Units with Return Air, after Burner cont.....	12
Roof Curbs for Base Units with Return Air, before Burner	13
Roof Curbs for Base Units with Return Air, before Burner cont.	14
HT380 Series Vertical Models- Sizes 109-130	15
HT380 Series Vertical Models- Sizes 109-130 Dimensional Data	16
HT380 Series Vertical Models- Sizes 215-230	17
HT380 Series Vertical Models- Sizes 215-230 Dimensional Data	18
HT380 Series Vertical Models - Sizes 233 & 240.....	19
HT380 Approximate Unit Weights (lbs)	20
HT380 Series Dampers	21
HT380 Series Discharge Louvers	21
HT380 Series Filter and V-Bank Filter Information	22
HT380 Series Mixing Box Information	23
HT380 Series Intake Hoods and Filter Information.....	24
HT380 Direct Fire Heaters- Single Blower Models Information.....	25
HT380 Direct Fire Heaters - Single Blower Models Selection Chart	26
HT380 Direct Fire Heaters - Twin Blower Models Selection Chart	27
HT380 Twin Blower Models- Burner Performance Table	28
HT380 Twin Blower Models - Burner Performance Table cont.	29
HT380 Twin Blower Models - Burner Performance Table	30
HT380 Twin Blower Models - Burner Performance Table cont.	31
HT380 Series Gas Piping Layout.....	32
HT380 Series Gas Piping Layout cont.....	33
MDT Control System	34
MRT Control System	35
MRT Pro Control System	36
MRT Expert Control System	37
Typical Wiring Diagram - Model HT380- Page 1	38
Typical Wiring Diagram - Model HT380- Page 2	39
Typical Wiring Diagram - Model HT380- Page 3	40
Typical Wiring Diagram - Model HT380- Page 4	41

HT380 Direct Fired Heaters Product Details

STANDARD FEATURES

- CFM Range: 1,600 to 100,000
- Burner range- 131,000 BTUH to 14 million BTUH
- Galvanized Steel Construction
- DWDI centrifugal forward curved fans
- TEFC or ODP motors
- ETL burner
- Hinged access door
- Flame observation port
- Pre-piped and tested burner assembly
- Controls enclosure

OPTIONAL ACCESSORIES

- Motorized inlet damper or discharge damper
- V-Bank filter box with filters
- Inlet hood and bird screen with or without filters
- Insulation
- Roof Curb (fan to discharge within unit perimeter)
- Extended grease lines
- Vibration feet and hangars
- Mild weather shutdown
- Clogged filter switch
- Disconnect switch
- Painted Galvanized casing
- Mixing box with filters and auto or manual dampers
- High pressure Regulator
- UV flame detection
- Circuit analyzer
- Remote control panel

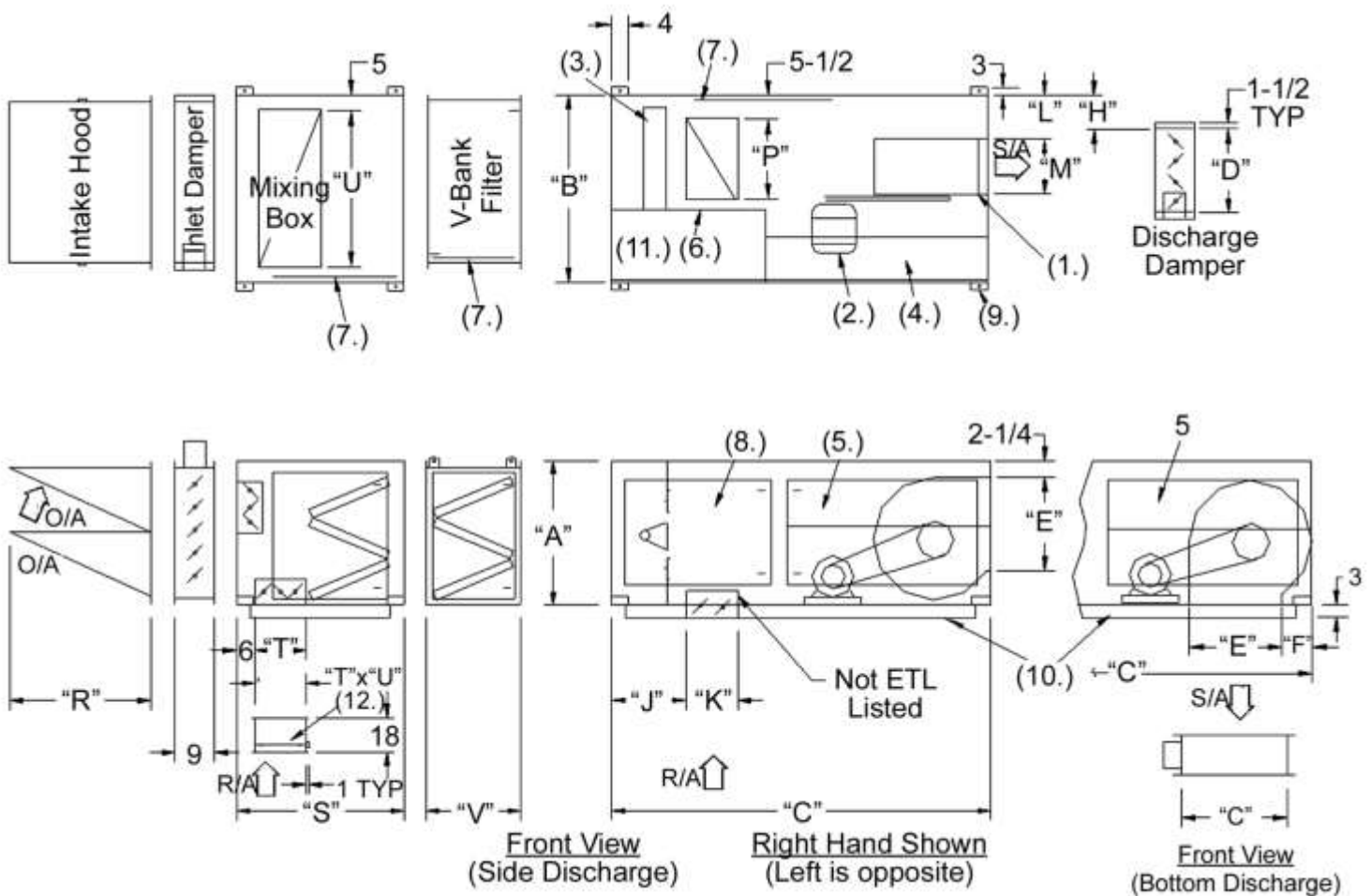
PRODUCT DESCRIPTION

The Moffitt Series HT380 Direct Fired Heaters are used to introduce high volumes of heated make-up air into a building. Units are designed for outdoor or indoor mounting and can be provided in either horizontal or vertical mounting arrangements. Units can be provided as 100% Make-up air units; capture, reheat and return of building air (air desertification units); or a combination or both. All units are ETL labeled.

HT380 Single Blower Models- Sizes 109 & 130 Horizontal Arrangement

Unit Components

- | | | |
|---------------------------------------|-------------------------------------|---|
| 1. Centrifugal supply fan | 6. Observations Port | 11. Manifold compartment |
| 2. Fan motor | 7. Access Door | 12. Airflow station (required for ETL listed Return Air Unit) |
| 3. Line Burner | 8. Access Door (piping compartment) | |
| 4. Control Cabinet | 9. Lifting Lug | |
| 5. Hinged control cabinet access door | 10. Unit Base | |



All specifications are subject to change without notice unless approved in submittal by Moffitt Corporation, Inc.

HT380 Single Blower Models - Sizes 109 & 130 Horizontal Arrangement Dimensional Data

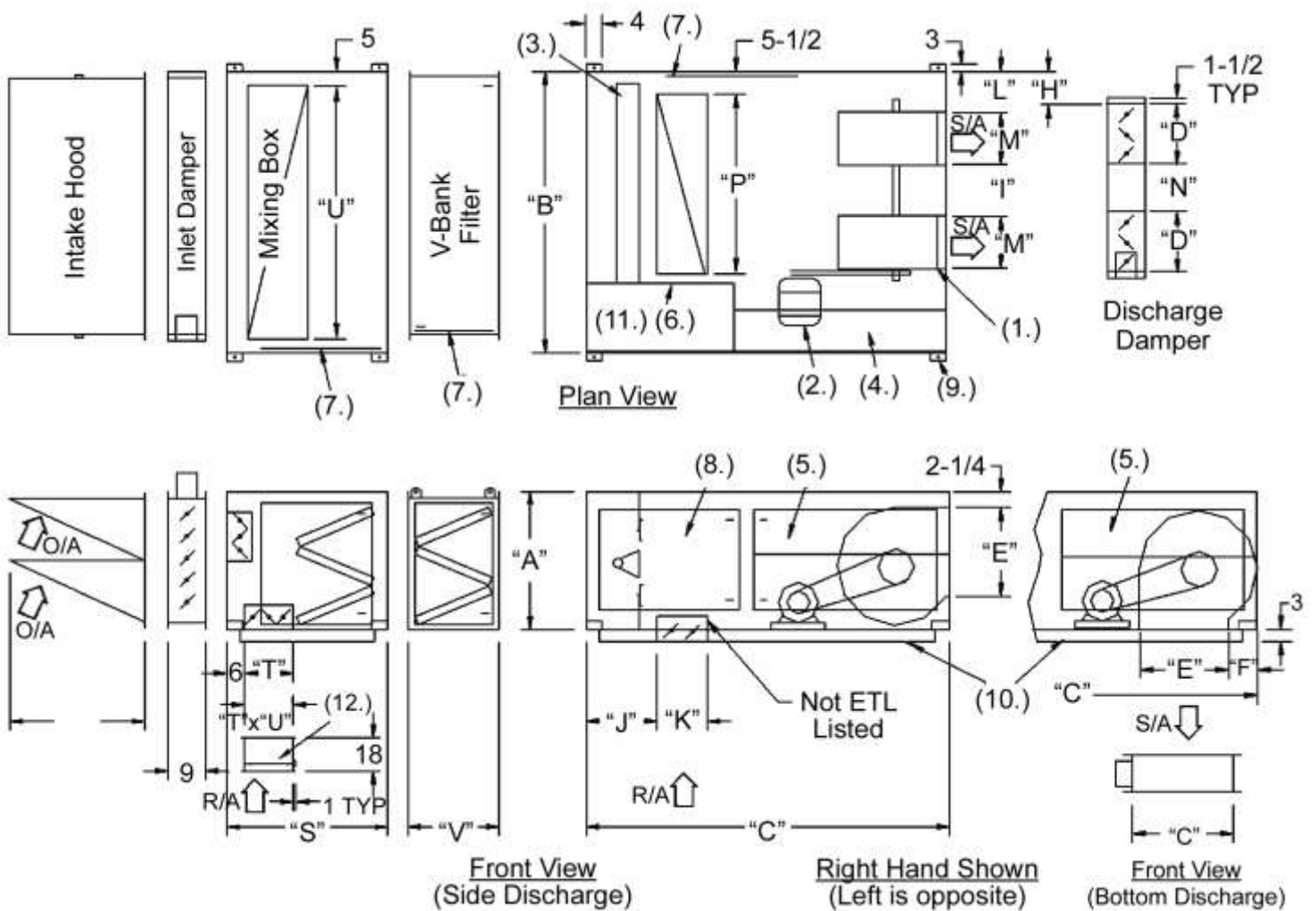
Model HT380	Dimensions (Inches)								
	A	B	C	D	E	F	G	H	J
109	36	52	77	17-13/16	10-3/8	15-1/8	14-7/16	11-9/16	19
112	36	52	77	17-13/16	13-9/16	13-9/16	14-7/16	11-9/16	19
115	36	52	77	23-15/16	16	12-3/8	19-7/8	8-5/8	19
118	36	52	77	23-15/16	19	12-3/8	19-7/8	6-15/16	19
120	48	78	96	29½	24-7/8	13-3/16	28¼	10-5/32	19
122	48	78	96	29½	27-3/8	13-3/16	28¼	11-13/32	19
125	60	91	96	38-7/8	31-3/8	17-9/16	37¾	11-11/16	12-5/16
130	60	91	96	38-7/8	36-7/8	17-9/16	37¾	14-7/16	12-5/16
Model HT380	Dimensions (Inches)								
	K	L	M	P	R	S	T	U	V
109	14¼	14½	11-15/16	27¾	32	54	20¼	42	22
112	14¼	14½	15-15/16	27¾	32	54	20¼	42	22
115	14¼	11-1/8	18-15/16	27¾	32	54	20¼	42	22
118	14¼	7-7/8	22-1/16	27¾	32	54	20¼	42	22
120	14¼	12-3/8	25-1/16	48	38½	60	20¼	68	22
122	14¼	12-3/8	27-9/16	48	38½	60	20¼	68	22
125	20¼	15-3/8	31½	49	53	65	26½	81	28
130	20¼	15-3/8	37	49	53	65	26½	81	28

All specifications are subject to change without notice unless approved in submittal by Moffitt Corporation, Inc.

HT380 Twin Blower Models- Sizes 215-230 Horizontal Arrangement

Unit Components

- | | | |
|---------------------------------------|-------------------------------------|---|
| 1. Centrifugal supply fan | 6. Observations Port | 11. Manifold compartment |
| 2. Fan motor | 7. Access Door | 12. Airflow station (required for ETL listed Return Air Unit) |
| 3. Line Burner | 8. Access Door (piping compartment) | |
| 4. Control Cabinet | 9. Lifting Lug | |
| 5. Hinged control cabinet access door | 10. Unit Base | |



All specifications are subject to change without notice unless approved in submittal by Moffitt Corporation, Inc.

HT380 Twin Blower Models - Sizes 215-230 Horizontal Arrangement Dimensional Data

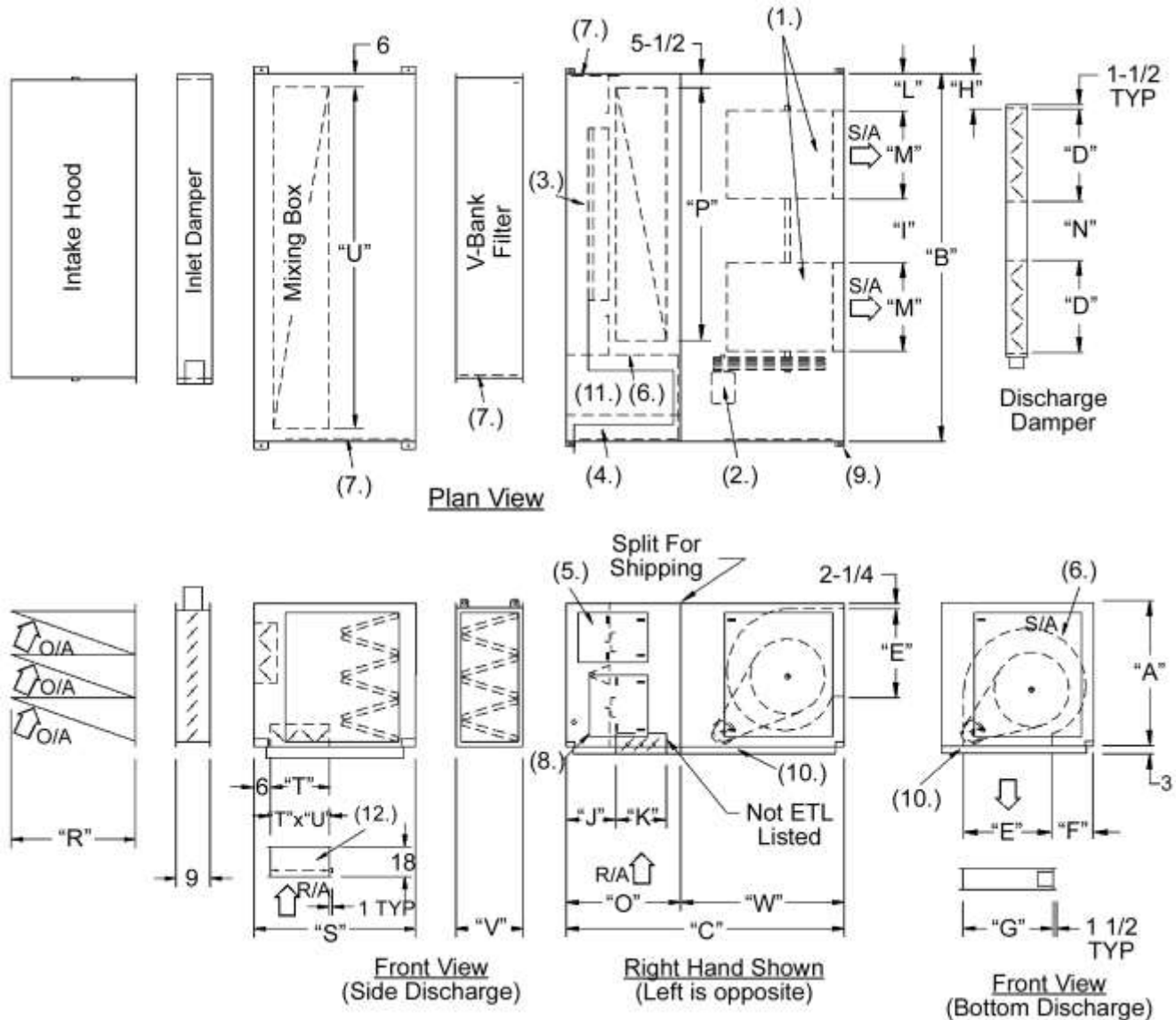
Model	Dimensions (Inches)									
HT38	A	B	C	D	E	F	G	H	I	J
215	36	94	77	23-15/16	16	12-3/8	19-7/8	5-3/8	22¼	19
218	36	94	77	23-15/16	19	12-3/8	19-7/8	6-15/16	16	19
220	48	130	96	29-7/16	24-7/8	13-3/16	28¼	10-3/16	29-5/8	19
222	48	130	96	29-7/16	27-3/8	13-3/16	28¼	11-7/16	24-5/8	19
225	60	154	96	38-7/8	31-3/8	17-9/16	37¾	11-7/16	37-5/8	12-5/16
230	60	154	96	38-7/8	36-7/8	17-9/16	37¾	14-7/16	26-5/8	12-5/16
Model	Dimensions (Inches)									
HT38	K	L	M	N	P	R	S	T	U	V
215	14¼	7-7/8	18-15/16	14	65¾	32	54	20¼	84	22
218	14¼	7-7/8	22-1/16	14	65¾	32	54	20¼	84	22
220	14¼	12-3/8	25-1/16	22-5/8	87-3/8	44½	60	20¼	120	22
222	14¼	12-3/8	27-9/16	22-5/8	87-3/8	44½	60	20¼	120	22
225	20¼	15-3/8	31½	24-5/8	111-3/8	56½	65	26½	144	28
230	20¼	15-3/8	37	24-5/8	111-3/8	56½	65	26½	144	28

All specifications are subject to change without notice unless approved in submittal by Moffitt Corporation, Inc.

HT380 Twin Blower Models- Sizes 233 & 240 Horizontal Arrangement

Unit Components

- | | | |
|---------------------------------------|-------------------------------------|---|
| 1. Centrifugal supply fan | 6. Observations Port | 11. Manifold compartment |
| 2. Fan motor | 7. Access Door | 12. Airflow station (required for ETL listed Return Air Unit) |
| 3. Line Burner | 8. Access Door (piping compartment) | |
| 4. Control Cabinet | 9. Lifting Lug | |
| 5. Hinged control cabinet access door | 10. Unit Base | |



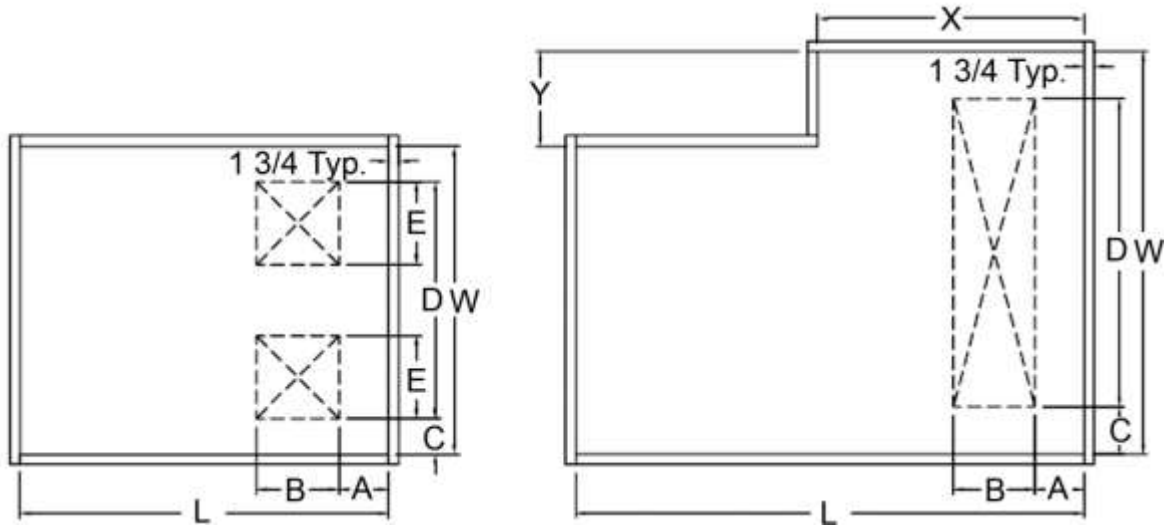
All specifications are subject to change without notice unless approved in submittal by Moffitt Corporation, Inc.

**HT380 Twin Blower Models - Sizes 233 & 240 Horizontal Arrangement
Dimensional Data**

Model HT38	Dimensions (Inches)										
	A	B	C	D	E	F	G	H	I	J	K
233	68	175	117	41 ³ / ₄	43-1/16	19-7/16	44	16-1/16	36	20	20 ¹ / ₄
240	79 ¹ / ₄	210	131	55 ³ / ₄	41	33	42	19-1/16	39-7/8	20	20 ¹ / ₄
Model HT38	Dimensions (Inches)										
	L	M	N	O	P	R	S	T	U	V	W
233	17	39-7/8	34-1/8	45	130	56 ¹ / ₂	70	31 ¹ / ₄	163	28	72
240	20	53-7/8	38	45	166	51 ¹ / ₂	70	31 ¹ / ₄	198	28	86

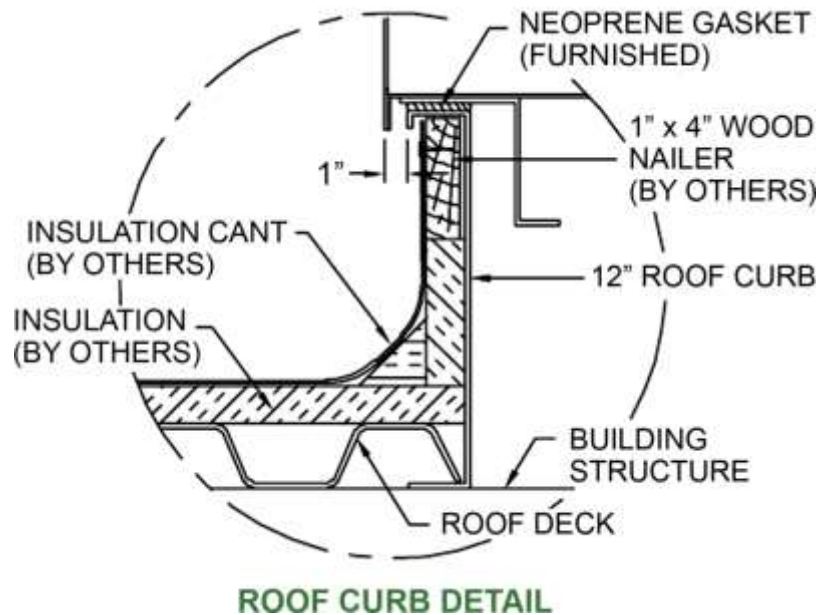
All specifications are subject to change without notice unless approved in submittal by Moffitt Corporation, Inc.

HT380 Roof Curbs for 100% Make-Up Air Units



NOTES:

1. All dimensions in inches subject to manufacturing tolerances.
2. Curb to be shipped loose and field assembled.
3. Curb must be installed square and level.
4. Curb requires intermediate structural support and is not to be corner post mounted.
5. Gaskets to be shipped with unit.
6. Bolting accessories shipped with curb.
7. Curb drawings shown are for units which have controls on the "standard" side.
8. Available on horizontal units only.



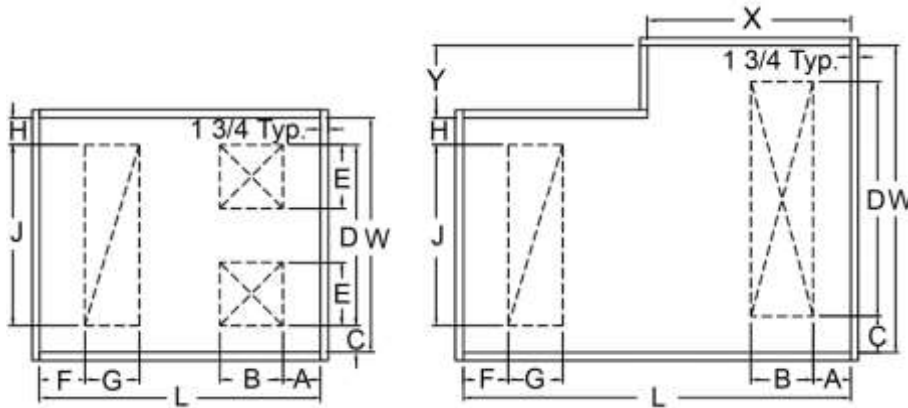
All specifications are subject to change without notice unless approved in submittal by Moffitt Corporation, Inc.

HT380 Roof Curbs - Cooling Information

Model	Without Cooling						
	A	B	C	D	E	L	W
109	12 3/8	10 3/8	22 13/16	11 15/16	N/A	71 1/2	46 1/2
112	10 13/16	13 9/16	20 13/16	15 15/16	N/A	71 1/2	46 1/2
115	9 5/8	16	19 3/16	18 15/16	N/A	71 1/2	46 1/2
118	9 5/8	19	19 5/16	22 1/16	N/A	71 1/2	46 1/2
120	10 7/16	24 7/8	37 13/16	25 1/16	N/A	90 1/2	72 1/2
122	10 7/16	27 3/8	35 5/16	27 9/16	N/A	90 1/2	72 1/2
125	14 13/16	31 3/8	41 3/8	31 1/2	N/A	90 1/2	85 1/2
130	14 13/16	36 7/8	35 7/8	37	N/A	90 1/2	85 1/2
215	9 5/8	16	23 1/4	60 1/8	18 15/16	71 1/2	88 1/2
218	9 5/8	19	23 1/4	60 1/8	22 1/16	71 1/2	88 1/2
220	10 7/16	24 7/8	35 1/8	79 3/4	25 1/16	90 1/2	124 1/2
222	10 7/16	27 3/8	35 1/8	79 3/4	27 9/16	90 1/2	124 1/2
225	14 13/16	31 3/8	35 1/4	100 5/8	31 1/2	90 1/2	148 1/2
230	14 13/16	36 7/8	35 1/4	100 5/8	37	90 1/2	148 1/2
233	16 11/16	43 1/16	39 1/2	115 3/4	39 7/8	111 1/2	169 1/2
240	30 1/4	41	39 5/8	147 5/8	53 7/8	125 1/2	204 1/2

Model	With Cooling							
	A	B	C	D	L	W	X	Y
109	3 1/4	18	3 1/4	40	153 1/2	46 1/2	76 1/2	0
112	3 1/4	18	3 1/4	40	153 1/2	46 1/2	76 1/2	0
115	3 1/4	18	3 1/4	52	181 1/2	58 1/2	104 1/2	12
118	3 1/4	18	3 1/4	52	181 1/2	58 1/2	104 1/2	12
120	3 1/4	26	3 1/4	86	214 1/2	92 1/2	118 1/2	20
122	3 1/4	26	3 1/4	86	214 1/2	92 1/2	118 1/2	20
125	3 1/4	34 1/2	3 1/4	104	246 1/2	110 1/2	150 1/2	25
130	3 1/4	34 1/2	3 1/4	104	246 1/2	110 1/2	150 1/2	25
215	3 1/4	18	3 1/4	94	181 1/2	100 1/2	104 1/2	12
218	3 1/4	18	3 1/4	94	181 1/2	100 1/2	104 1/2	12
220	3 1/4	26	3 1/4	142	214 1/2	148 1/2	118 1/2	24
222	3 1/4	26	3 1/4	142	214 1/2	148 1/2	118 1/2	24
225	3 1/4	34 1/2	3 1/4	167	246 1/2	173 1/2	150 1/2	25
230	3 1/4	34 1/2	3 1/4	167	246 1/2	173 1/2	150 1/2	25
233	N/A	N/A	N/A	N/A	N/A	N/A	N/A	N/A
240	N/A	N/A	N/A	N/A	N/A	N/A	N/A	N/A

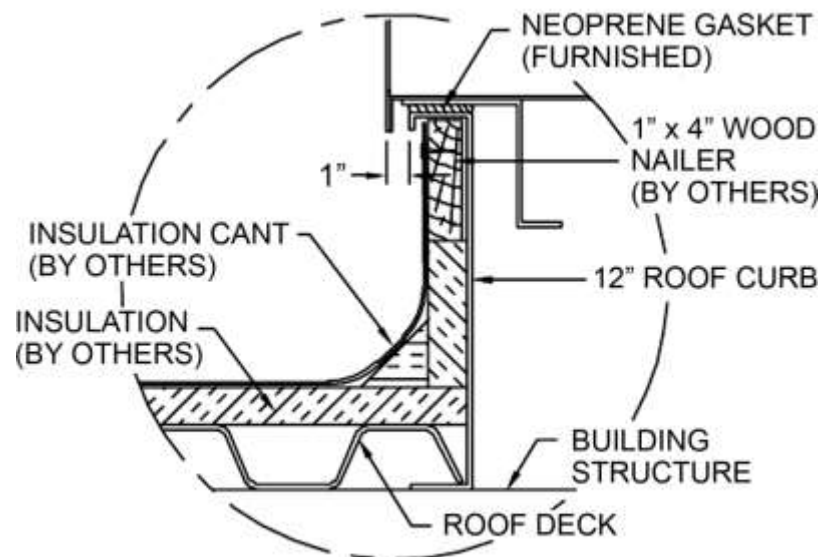
Roof Curbs for Base Units with Return Air, after Burner



Model	All Models			
	F	G	H	J
109	16 1/4	14 1/4	2 3/4	27 3/4
112	16 1/4	14 1/4	2 3/4	27 3/4
115	16 1/4	14 1/4	2 3/4	27 3/4
118	16 1/4	14 1/4	2 3/4	27 3/4
120	16 1/4	14 1/4	2 3/4	48
122	16 1/4	14 1/4	2 3/4	48
125	9 9/16	20 1/4	2 3/4	49
130	9 9/16	20 1/4	2 3/4	49
215	16 1/4	14 1/4	2 3/4	65 3/4
218	16 1/4	14 1/4	2 3/4	65 3/4
220	16 1/4	14 1/4	2 3/4	87 3/8
222	16 1/4	14 1/4	2 3/4	87 3/8
225	9 9/16	20 1/4	2 3/4	111 3/8
230	9 9/16	20 1/4	2 3/4	111 3/8
233	17 1/4	20 1/4	2 3/4	130
240	17 1/4	20 1/4	2 3/4	166

NOTES:

1. All dimensions in inches subject to manufacturing tolerances.
2. Curb to be shipped loose and field assembled.
3. Curb must be installed square and level.
4. Curb requires intermediate structural support and is not to be corner post mounted.
5. Gaskets to be shipped with unit.
6. Bolting accessories shipped with curb.
7. Curb drawings shown are for units which have controls on the "standard" side.
8. Available on horizontal units only.



ROOF CURB DETAIL

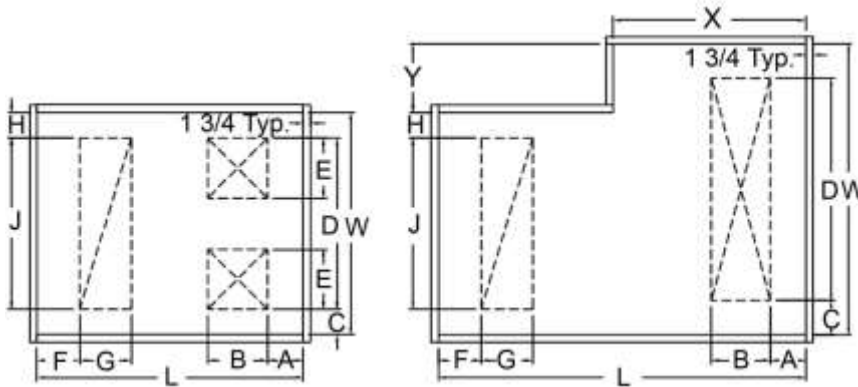
All specifications are subject to change without notice unless approved in submittal by Moffitt Corporation, Inc.

Roof Curbs for Base Units with Return Air, after Burner cont.

Model	Without Cooling						
	A	B	C	D	E	L	W
109	12 3/8	10 3/8	22 13/16	11 15/16	N/A	71 1/2	46 1/2
112	10 13/16	13 9/16	20 13/16	15 15/16	N/A	71 1/2	46 1/2
115	9 5/8	16	19 3/16	18 15/16	N/A	71 1/2	46 1/2
118	9 5/8	19	19 5/16	22 1/16	N/A	71 1/2	46 1/2
120	10 7/16	24 7/8	37 13/16	25 1/16	N/A	90 1/2	72 1/2
122	10 7/16	27 3/8	35 5/16	27 9/16	N/A	90 1/2	72 1/2
125	14 13/16	31 3/8	41 3/8	31 1/2	N/A	90 1/2	85 1/2
130	14 13/16	36 7/8	35 7/8	37	N/A	90 1/2	85 1/2
215	9 5/8	16	23 1/4	60 1/8	18 15/16	71 1/2	88 1/2
218	9 5/8	19	23 1/4	60 1/8	22 1/16	71 1/2	88 1/2
220	10 7/16	24 7/8	35 1/8	79 3/4	25 1/16	90 1/2	124 1/2
222	10 7/16	27 3/8	35 1/8	79 3/4	27 9/16	90 1/2	124 1/2
225	14 13/16	31 3/8	35 1/4	100 5/8	31 1/2	90 1/2	148 1/2
230	14 13/16	36 7/8	35 1/4	100 5/8	37	90 1/2	148 1/2
233	16 11/16	43 1/16	39 1/2	115 3/4	39 7/8	111 1/2	169 1/2
240	30 1/4	41	39 5/8	147 5/8	53 7/8	125 1/2	204 1/2

Model	With Cooling							
	A	B	C	D	L	W	X	Y
109	3 1/4	18	3 1/4	40	153 1/2	46 1/2	76 1/2	0
112	3 1/4	18	3 1/4	40	153 1/2	46 1/2	76 1/2	0
115	3 1/4	18	3 1/4	52	181 1/2	58 1/2	104 1/2	12
118	3 1/4	18	3 1/4	52	181 1/2	58 1/2	104 1/2	12
120	3 1/4	26	3 1/4	86	214 1/2	92 1/2	118 1/2	20
122	3 1/4	26	3 1/4	86	214 1/2	92 1/2	118 1/2	20
125	3 1/4	34 1/2	3 1/4	104	246 1/2	110 1/2	150 1/2	25
130	3 1/4	34 1/2	3 1/4	104	246 1/2	110 1/2	150 1/2	25
215	3 1/4	18	3 1/4	94	181 1/2	100 1/2	104 1/2	12
218	3 1/4	18	3 1/4	94	181 1/2	100 1/2	104 1/2	12
220	3 1/4	26	3 1/4	142	214 1/2	148 1/2	118 1/2	24
222	3 1/4	26	3 1/4	142	214 1/2	148 1/2	118 1/2	24
225	3 1/4	34 1/2	3 1/4	167	246 1/2	173 1/2	150 1/2	25
230	3 1/4	34 1/2	3 1/4	167	246 1/2	173 1/2	150 1/2	25
233	N/A	N/A	N/A	N/A	N/A	N/A	N/A	N/A
240	N/A	N/A	N/A	N/A	N/A	N/A	N/A	N/A

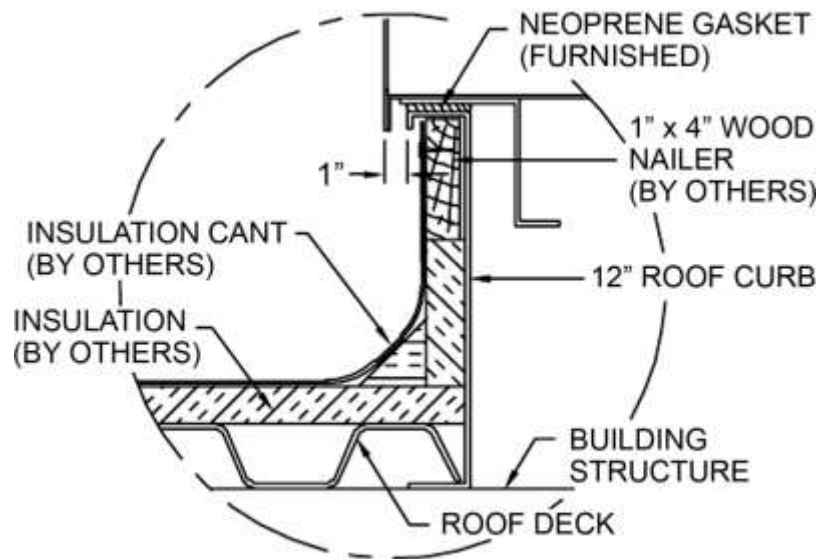
Roof Curbs for Base Units with Return Air, before Burner



Model	All Models			
	F	G	H	J
109	3 1/4	20 1/4	2 1/4	42
112	3 1/4	20 1/4	2 1/4	42
115	3 1/4	20 1/4	2 1/4	42
118	3 1/4	20 1/4	2 1/4	42
120	3 1/4	20 1/4	2 1/4	68
122	3 1/4	20 1/4	2 1/4	68
125	3 1/4	26 1/2	2 1/4	81
130	3 1/4	26 1/2	2 1/4	81
215	3 1/4	20 1/4	2 1/4	84
218	3 1/4	20 1/4	2 1/4	84
220	3 1/4	20 1/4	2 1/4	120
222	3 1/4	20 1/4	2 1/4	120
225	3 1/4	26 1/2	2 1/4	144
230	3 1/4	26 1/2	2 1/4	144
233	3 1/4	31 1/4	3 1/4	163
240	3 1/4	31 1/4	3 1/4	198

NOTES:

1. All dimensions in inches subject to manufacturing tolerances.
2. Curb to be shipped loose and field assembled.
3. Curb must be installed square and level.
4. Curb requires intermediate structural support and is not to be corner post mounted.
5. Gaskets to be shipped with unit.
6. Bolting accessories shipped with curb.
7. Curb drawings shown are for units which have controls on the "standard" side.
8. Available on horizontal units only.



ROOF CURB DETAIL

All specifications are subject to change without notice unless approved in submittal by Moffitt Corporation, Inc.

Roof Curbs for Base Units with Return Air, before Burner cont.

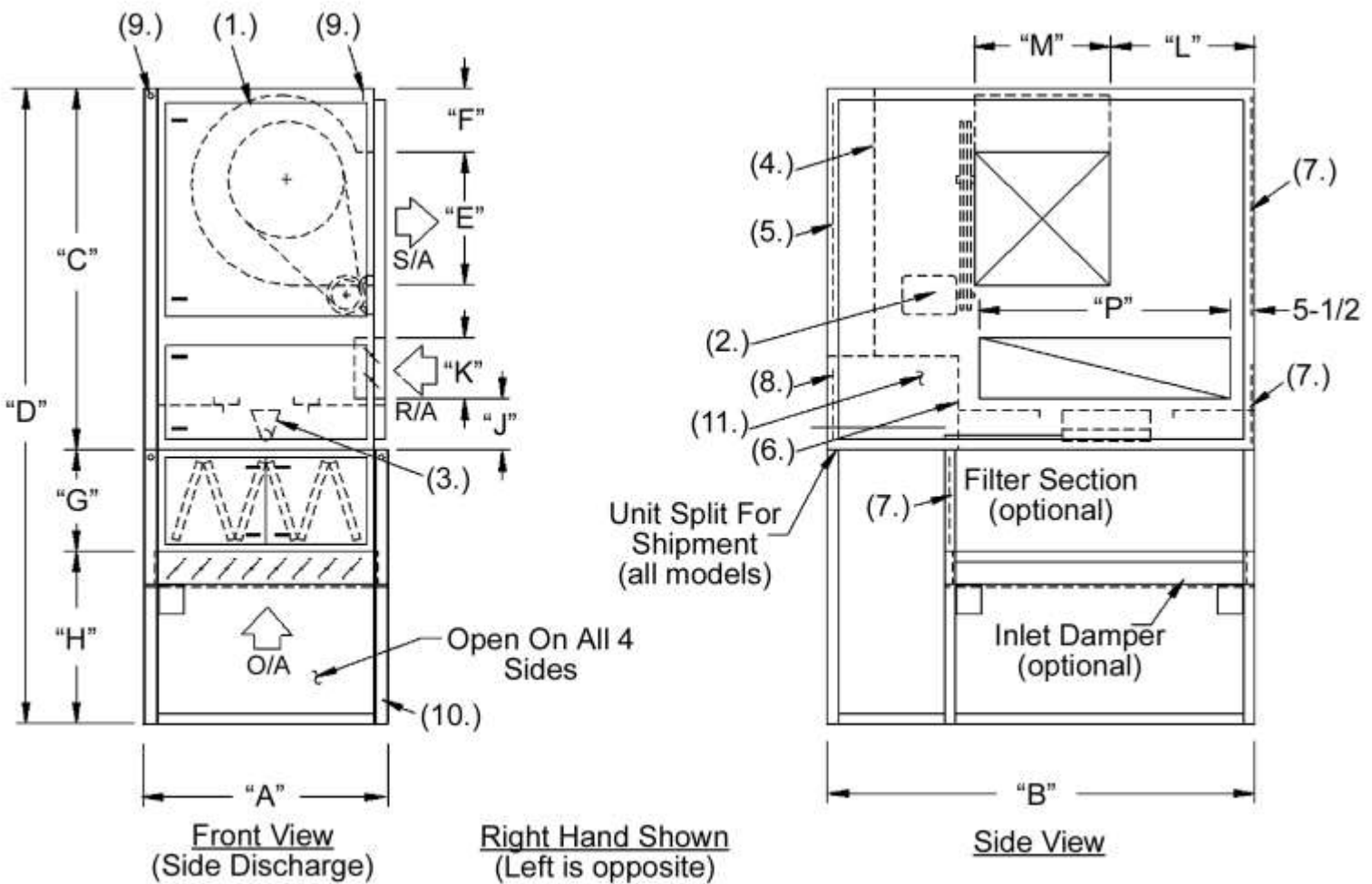
Model	Without Cooling						
	A	B	C	D	E	L	W
109	12 3/8	10 3/8	22 13/16	11 15/16	N/A	125 1/2	46 1/2
112	10 13/16	13 9/16	20 13/16	15 15/16	N/A	125 1/2	46 1/2
115	9 5/8	16	19 3/16	18 15/16	N/A	125 1/2	46 1/2
118	9 5/8	19	19 5/16	22 1/16	N/A	125 1/2	46 1/2
120	10 7/16	24 7/8	37 13/16	25 1/16	N/A	150 1/2	72 1/2
122	10 7/16	27 3/8	35 5/16	27 9/16	N/A	150 1/2	72 1/2
125	14 13/16	31 3/8	41 3/8	31 1/2	N/A	155 1/2	85 1/2
130	14 13/16	36 7/8	35 7/8	37	N/A	155 1/2	85 1/2
215	9 5/8	16	23 1/4	60 1/8	18 15/16	125 1/2	88 1/2
218	9 5/8	19	23 1/4	60 1/8	22 1/16	125 1/2	88 1/2
220	10 7/16	24 7/8	35 1/8	79 3/4	25 1/16	150 1/2	124 1/2
222	10 7/16	27 3/8	35 1/8	79 3/4	27 9/16	150 1/2	124 1/2
225	14 13/16	31 3/8	35 1/4	100 5/8	31 1/2	155 1/2	148 1/2
230	14 13/16	36 7/8	35 1/4	100 5/8	37	155 1/2	148 1/2
233	16 11/16	43 1/16	39 1/2	115 3/4	39 7/8	181 1/2	169 1/2
240	30 1/4	41	39 5/8	147 5/8	53 7/8	195 1/2	204 1/2

Model	With Cooling							
	A	B	C	D	L	W	X	Y
109	3 1/4	18	3 1/4	40	207 1/2	46 1/2	76 1/2	0
112	3 1/4	18	3 1/4	40	207 1/2	46 1/2	76 1/2	0
115	3 1/4	18	3 1/4	52	235 1/2	58 1/2	104 1/2	12
118	3 1/4	18	3 1/4	52	235 1/2	58 1/2	104 1/2	12
120	3 1/4	26	3 1/4	86	274 1/2	92 1/2	118 1/2	20
122	3 1/4	26	3 1/4	86	274 1/2	92 1/2	118 1/2	20
125	3 1/4	34 1/2	3 1/4	104	311 1/2	110 1/2	150 1/2	25
130	3 1/4	34 1/2	3 1/4	104	311 1/2	110 1/2	150 1/2	25
215	3 1/4	18	3 1/4	94	235 1/2	100 1/2	104 1/2	12
218	3 1/4	18	3 1/4	94	235 1/2	100 1/2	104 1/2	12
220	3 1/4	26	3 1/4	142	274 1/2	148 1/2	118 1/2	24
222	3 1/4	26	3 1/4	142	274 1/2	148 1/2	118 1/2	24
225	3 1/4	34 1/2	3 1/4	167	311 1/2	173 1/2	150 1/2	25
230	3 1/4	34 1/2	3 1/4	167	311 1/2	173 1/2	150 1/2	25
233	N/A	N/A	N/A	N/A	N/A	N/A	N/A	N/A
240	N/A	N/A	N/A	N/A	N/A	N/A	N/A	N/A

HT380 Series Vertical Models- Sizes 109-130

Unit Components

- | | | |
|---------------------------------------|-------------------------------------|-----------------------------------|
| 1. Centrifugal supply fan | 6. Observations port | 11. Manifold compartment |
| 2. Fan motor | 7. Access door | 12. Optional mixing box not shown |
| 3. Line Burner | 8. Access Door (piping compartment) | |
| 4. Control Cabinet | 9. Lifting lug | |
| 5. Hinged control cabinet access door | 10. Unit Support Stand | |



All specifications are subject to change without notice unless approved in submittal by Moffitt Corporation, Inc.

HT380 Series Vertical Models- Sizes 109-130 Dimensional Data

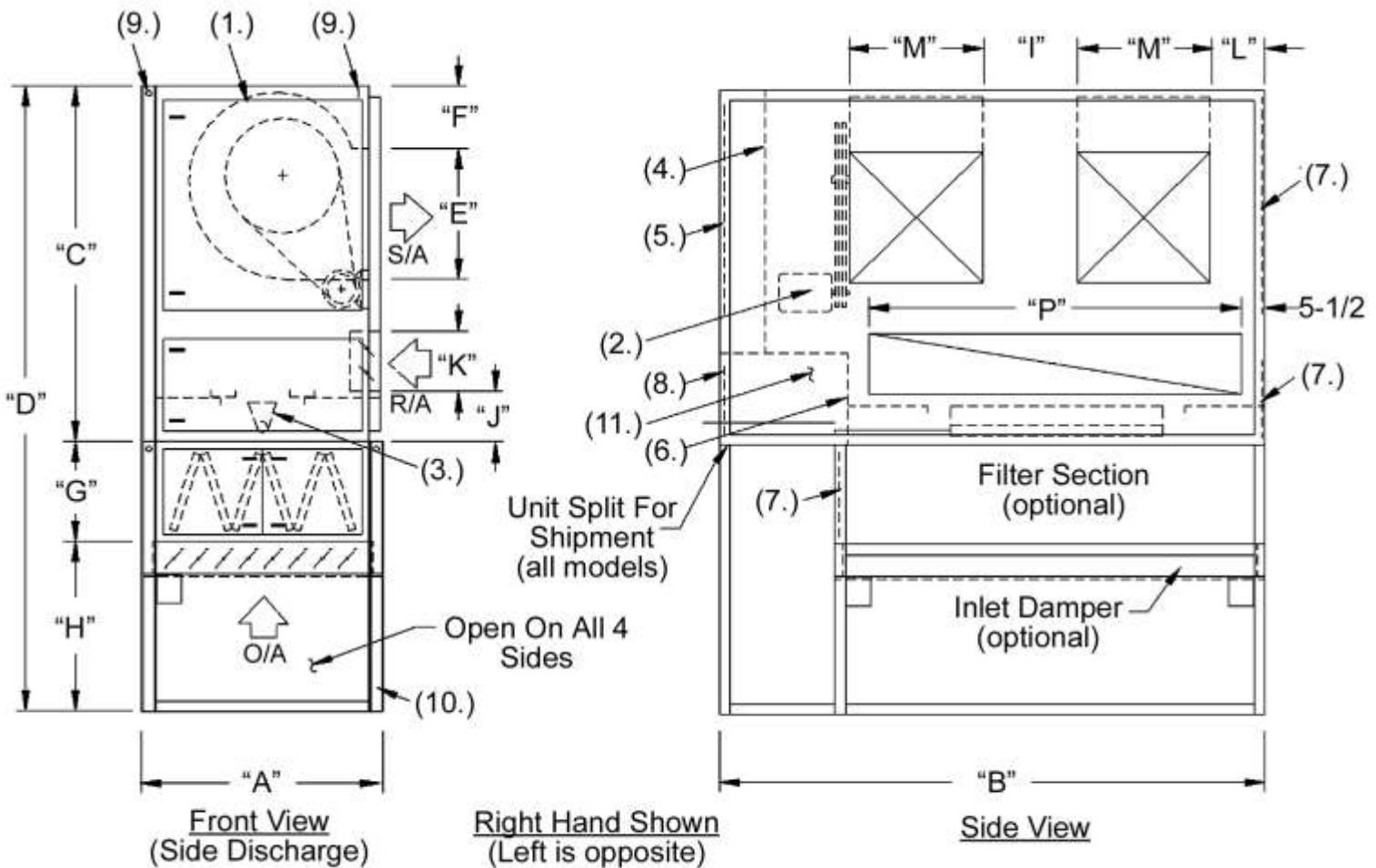
Model	Dimensions (Inches)						
HT38	A	B	C	D	E	F	G
109	42	52	77	135	10/3/2008	15-1/8	22
112	42	52	77	135	13-9/16	13-9/16	22
115	42	52	77	135	16	12/3/2008	22
118	42	52	77	135	19	12/3/2008	22
120	56	78	96	166	24-7/8	13-3/16	22
122	56	78	96	166	27-3/8	13-3/16	22
125	68	91	96	172	31-3/8	17-9/16	28
130	68	91	96	172	36-7/8	17-9/16	28
Model	Dimensions (Inches)						
HT38	H	J	K	L	M	P	
109	36	19	14¼	14½	11/15/2016	27¾	
112	36	19	14¼	12½	15-15/16	27¾	
115	36	19	14¼	11.13	18-15/16	27¾	
118	36	19	14¼	7.875	22-1/16	27¾	
120	48	19	14¼	12.38	25-1/16	48	
122	48	19	14¼	12.38	27-9/16	48	
125	48	12-5/16	20¼	15.38	31½	49	
130	48	2-5/16	20¼	15.38	37	49	

All specifications are subject to change without notice unless approved in submittal by Moffitt Corporation, Inc.

HT380 Series Vertical Models- Sizes 215-230

Unit Components

- | | | |
|---------------------------------------|-------------------------------------|-----------------------------------|
| 1. Centrifugal supply fan | 6. Observations p | 11. Manifold compartment |
| 2. Fan motor | 7. Access door | 12. Optional mixing box not shown |
| 3. Line Burner | 8. Access Door (piping compartment) | |
| 4. Control Cabinet | 9. Lifting lug | |
| 5. Hinged control cabinet access door | 10. Unit Support Stand | |



All specifications are subject to change without notice unless approved in submittal by Moffitt Corporation, Inc.

HT380 Series Vertical Models- Sizes 215-230 Dimensional Data

Model HT38	Dimensions (Inches)							
	A	B	C	D	E	F	G	H
215	42	94	77	135	16	12-3/8	22	36
218	42	94	77	135	19	12-3/8	22	36
220	56	130	96	166	24-7/8	13-3/16	22	48
222	56	130	96	166	27-3/8	13-3/16	22	48
225	68	154	96	172	31-3/8	17-9/16	28	48
230	68	154	96	172	36-7/8	17-9/16	28	48

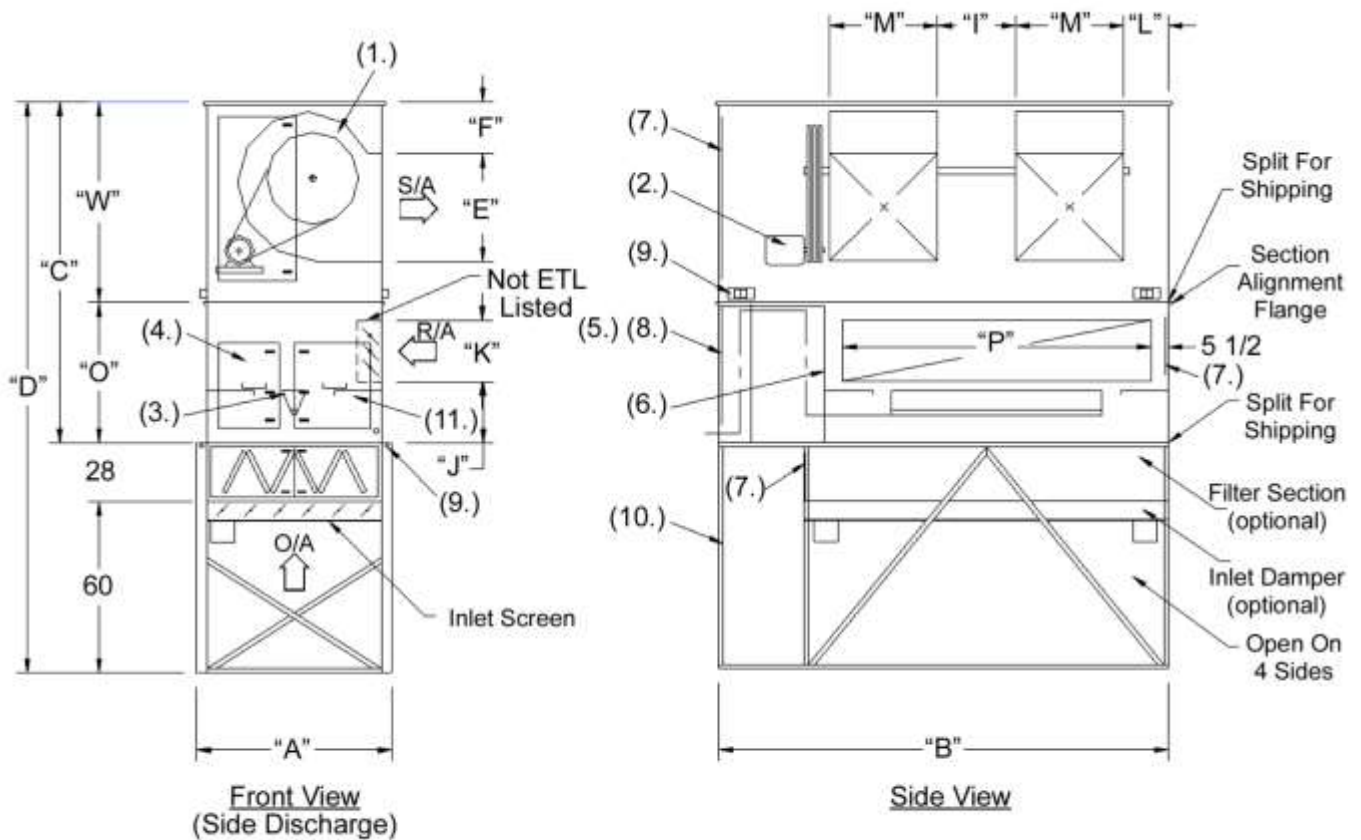
Model HT38	Dimensions (Inches)					
	I	J	K	L	M	P
215	22¼	19	14¼	7-7/8	18-15/16	65¾
218	16	19	14¼	7-7/8	22-1/16	65¾
220	29-5/8	19	14¼	12-3/8	25-1/16	87-3/8
222	24-5/8	19	14¼	12-3/8	27-9/16	87-3/8
225	37-5/8	12-5/16	20¼	15-3/8	31½	111-3/8
230	26-5/8	12-5/16	20¼	15-3/8	37	111-3/8

All specifications are subject to change without notice unless approved in submittal by Moffitt Corporation, Inc.

HT380 Series Vertical Models - Sizes 233 & 240

Unit Components

- | | | |
|---------------------------------------|-------------------------------------|-----------------------------------|
| 1. Centrifugal supply fan | 6. Observations p | 11. Manifold compartment |
| 2. Fan motor | 7. Access door | 12. Optional mixing box not shown |
| 3. Line Burner | 8. Access Door (piping compartment) | |
| 4. Control Cabinet | 9. Lifting lug | |
| 5. Hinged control cabinet access door | 10. Unit Support Stand | |

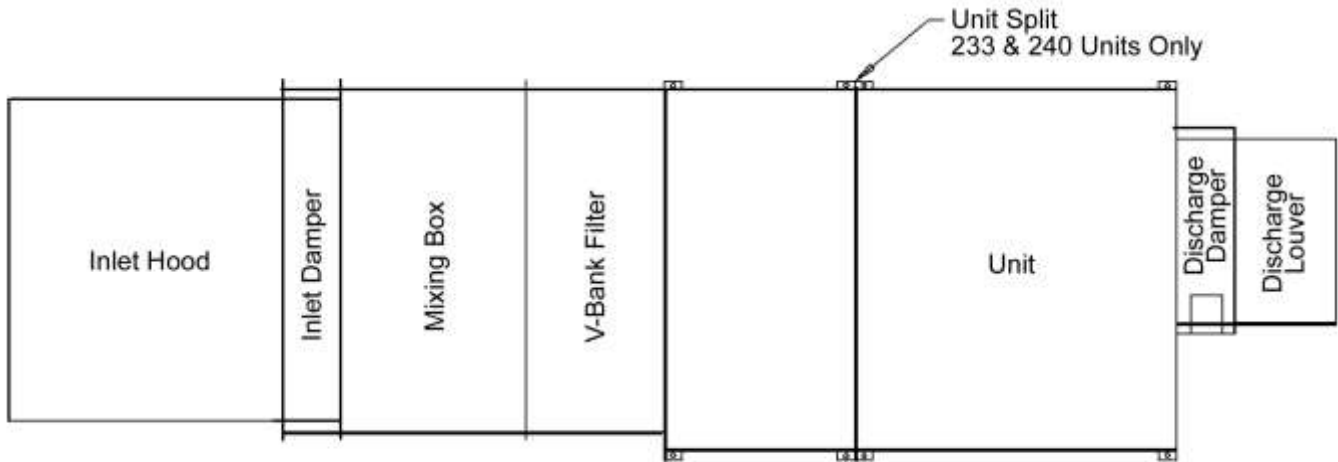


Right Hand Shown
(Left is opposite)

Model	Dimensions (Inches)													
	A	B	C	D	E	F	I	J	K	L	M	O	P	W
233	76	175	117	205	43-1/16	19-7/16	36	20	20-1/4	17	39-7/8	45	130	72
240	87-1/4	210	131	219	41	33	39-7/8	20	20-1/4	20	58-7/8	45	166	86

All specifications are subject to change without notice unless approved in submittal by Moffitt Corporation, Inc.

HT380 Approximate Unit Weights (lbs)

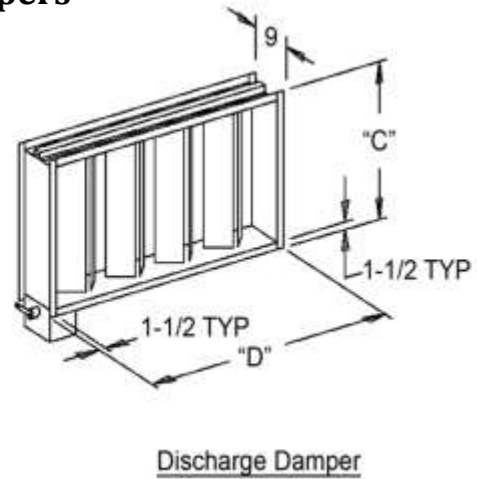
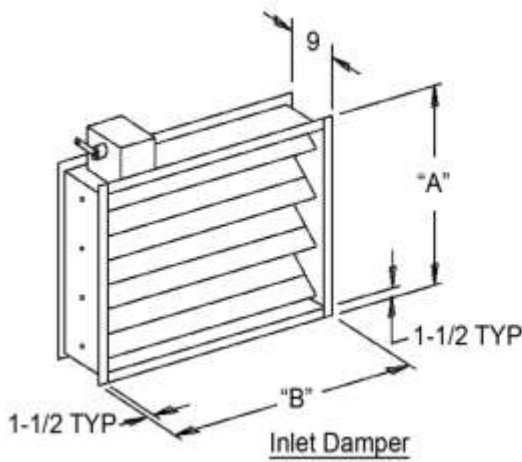


Plan View

Model HT38 0	Unit								Inlet Hood (No Filters)	Inlet Damper	V-Bank Filter	Mixing Box	Discharge Damper	Discharge Louver	Add For Vertical Units
	A	B	C	D	E	F	G	H							
109	215	215	185	145					170	75	105	480	30	70	224
112	215	215	185	145					170	75	105	480	30	70	224
115	215	215	185	145					170	75	105	480	30	70	224
118	225	225	200	160					170	75	105	480	30	70	224
120	331	331	272	251					270	125	175	700	55	85	475
122	344	344	282	257					270	125	175	700	55	85	475
125	510	510	420	384					290	140	240	950	85	140	590
130	538	538	442	402					290	140	240	950	85	140	590
215	342	342	274	222					275	135	175	700	100	150	427
218	378	378	311	233					275	135	175	700	100	150	427
220	625	625	555	475					320	200	230	980	145	215	899
222	675	675	545	475					320	200	230	980	145	215	899
225	824	824	732	610					500	275	340	1270	210	230	1145
230	863	863	731	673					720	275	340	1270	210	230	1145
233	517	1139	936	421	382	973	490	1535	775	350	550	2200	230	300	1100
240	557	1625	1361	451	413	1395	529	2344	1050	500	675	2750	250	350	1300

All specifications are subject to change without notice unless approved in submittal by Moffitt Corporation, Inc.

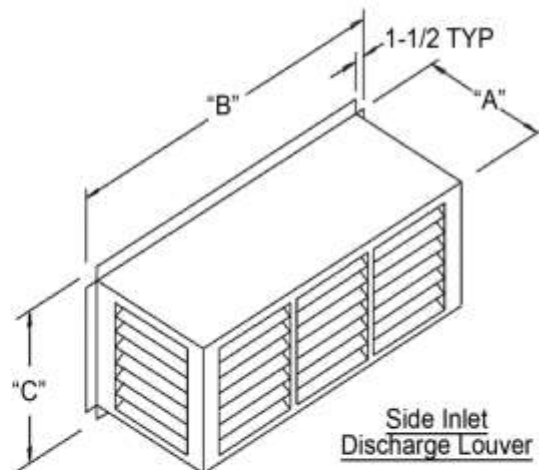
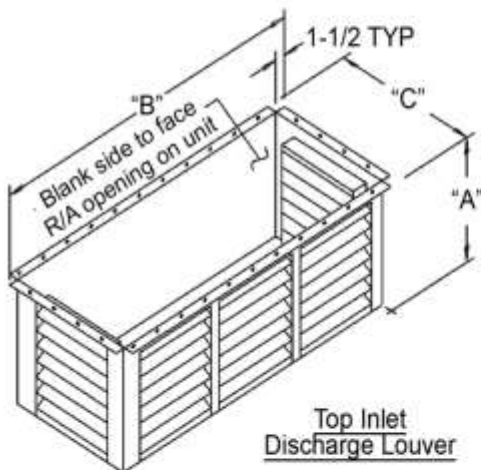
HT380 Series Dampers



Model	Model HT380								
	109-112	115-118	120-122	125-130	215-218	220-222	225-230	233	240*
A	36	36	48	60	36	48	60	68	79¼
B	47¼	47¼	62-3/8	63	91½	101-5/8	121-3/8	141½	177
C	17-7/16	22-7/8	31¼	40¾	22-7/8	31¼	40¾	47	45
D	20-13/16	26-15/16	32½	41-7/8	64-7/8	84½	105-3/8	120-5/8	58¾

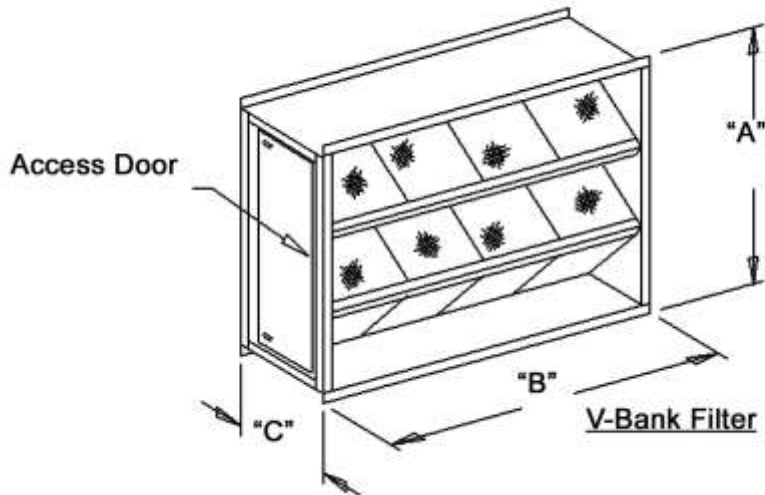
On 240 discharge damper ONLY, there are (2) dampers side by side. Dimensions shown are for each damper.
 Overall width of 240 discharge is 152 1/2. All dimensions shown in inches.

HT380 Series Discharge Louvers



Model	Model HT380								
	109-112	115-118	120-122	125-130	215-218	220-222	225-230	233	240
A	21	24	45	45	24	45	45	45	45
B	20-13/16	26-15/16	32½	41-7/8	64-7/8	84½	105-3/8	120-5/8	152½
C	26	29	31¼	40¾	29	31¼	40¾	40¾	45

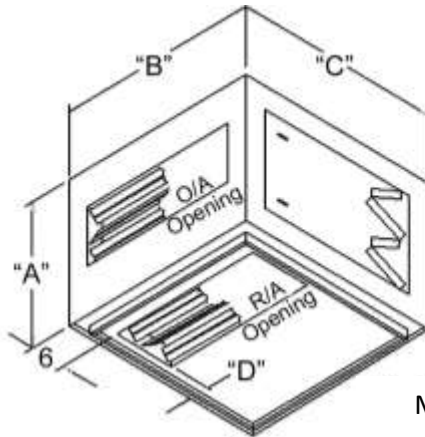
HT380 Series Filter and V-Bank Filter Information



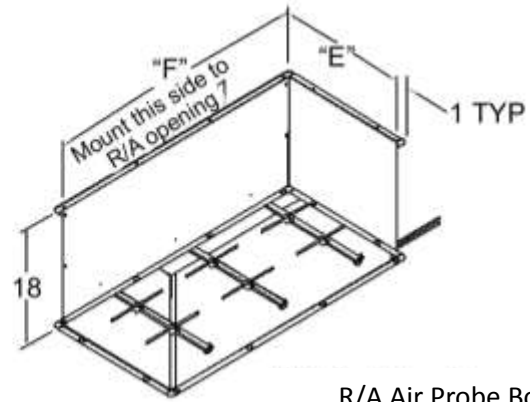
Dimension	Model HT380							
	109-118	120-122	125-130	215-218	220-222	225-230	233	240
A	36	48	60	36	48	60	68	79¼
B	47¼	62-3/8	63	91½	101-5/8	121-3/8	141½	177
C	22	22	28	22	22	28	28	28
Model	109-118	120-122	125-130	215-218	220-222	225-230	233	240
Filter Qty.	(9)	(15)	(18)	(18)	(25)	(36)	(49)	(88)
& Size	15 x 20 x 2	20 x 20 x 2	20 x 25 x 2	15 x 20 x 2	20 x 20 x 2	20 x 25 x 2	20 x 25 x 2	16 x 25 x 2

All specifications are subject to change without notice unless approved in submittal by Moffitt Corporation, Inc.

HT380 Series Mixing Box Information



Mixing Box



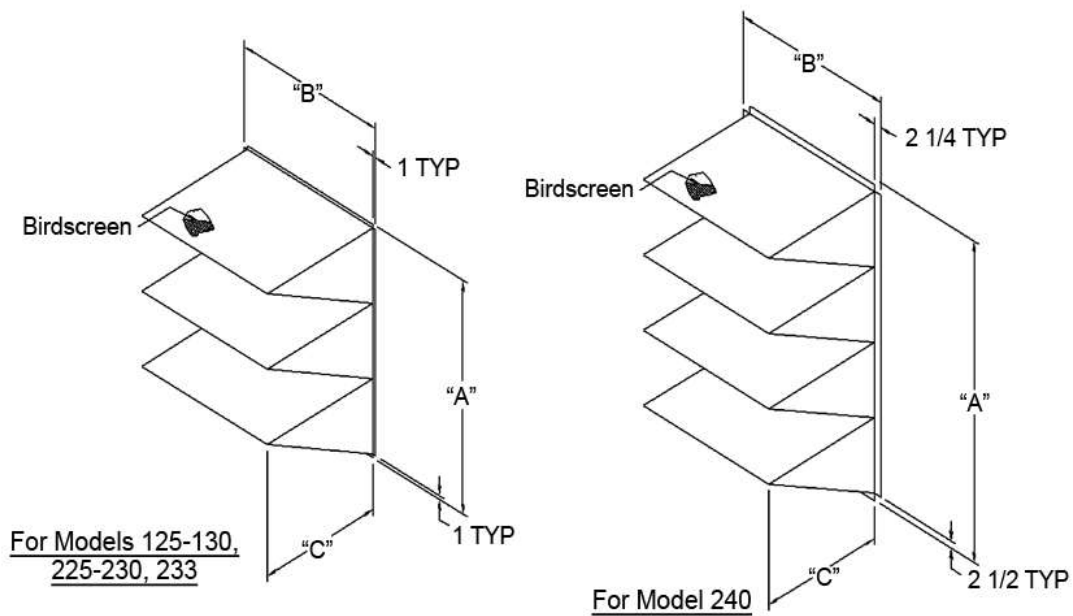
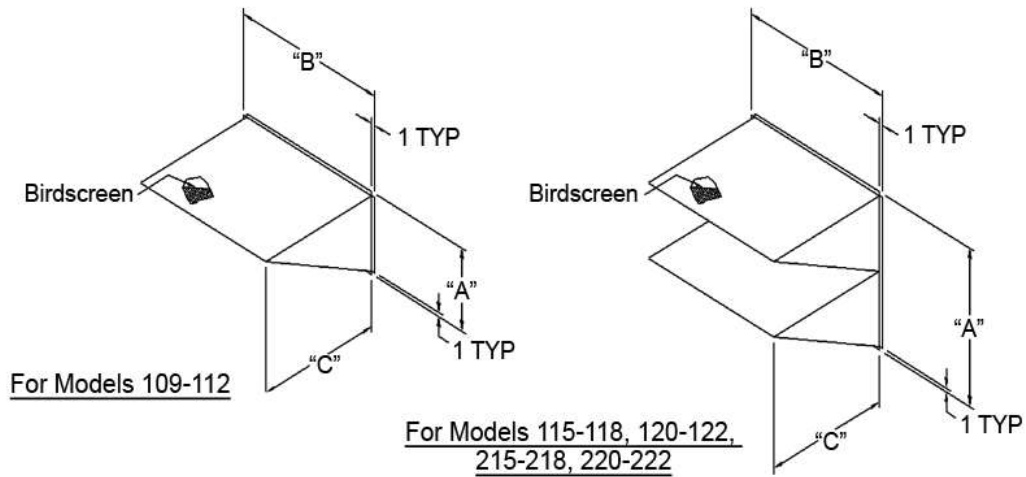
R/A Air Probe Box

Dimension	Model HT380							
	109-118	120-122	125-130	215-218	220-222	225-230	233	240
A	36	48	60	36	48	60	68	79¼
B	52	78	91	94	130	154	175	210
C	54	60	65	54	60	65	70	70
D	5	5	5	5	5	5	6	6
E	20¼	20¼	26½	20¼	20¼	26½	31¼	31¼
F	42	68	81	84	120	144	163	198

NOTE: Filter dimensions and sizes are the same as V-Bank filter box. All dimensions shown in inches

All specifications are subject to change without notice unless approved in submittal by Moffitt Corporation, Inc.

HT380 Series Intake Hoods and Filter Information



Dimension (Inches)	Model HT380									
	109-112	115-118	120-122	125-130	215-218	220-222	225-230	233	240	
A	36	36	48	60	36	48	60	68	79	
B	47 1/4	47 1/4	62 3/8	63	91 1/2	101 5/8	121 3/8	140 1/2	174 1/2	
C	32	32	38 1/2	53	32	44 1/2	56 1/2	56 1/2	51 1/2	

MODEL	109-112	115-118	120-122	125-130	215-218	220-222	225-230	233	240
FILTER QTY.	4	8	12	30	16	18	66	69	64
& SIZE	16x20	16x20	20x20	15x20	16x20	20x25	15x20	16x20	20x25

HT380 Direct Fire Heaters- Single Blower Models Information

NOTE:

Horsepower selections are based on system external static pressure. One or more of the following must be added when applicable.

A. Fresh Air Inlet Hood & Birdscreen	.13" W.C.
B. Fresh Air Inlet Hood with Filters	.25" W.C.
C. Motor Operated Inlet Damper	.13" W.C.
D. Motor Operated Discharge Damper	.50" W.C.
E. V-Bank Filter Section	.25" W.C.
F. Discharge Louver	.13" W.C.

SELECTION GUIDE

1. Determine the required amount of replacement air (CFM) by computing the total amount of air being exhausted.
2. Determine the total external static pressure by adding the pressure drops through all accessories and ducts.
3. Select unit size and motor horsepower from table.

See chart on next page

HT380 Direct Fire Heaters - Single Blower Models Selection Chart

Unit Model	CFM Std. Air @ 70°	FPM Outlet Velocit	Total External Static Pressure (W.C.)							
			1/4" HP	3/8" HP	1/2" HP	3/4" HP	1" HP	1-1/4" HP	1-1/2" HP	2" HP
HT380 109	1600	1915	1	1	1	1				
	1800	2155	1	1	1	1½	1½	1½		
	2000	2390	1½	1½	1½	1½	1½	2	2	
	2250	2690	1½	1½	1½	2	2	2	2	3
	2500	2990	2	2	2	2	2	3	3	3
	2750	3290	2	2	2	3	3	3	3	3
	3000	3590	3	3	3	3	3	3	5	5
HT380 112	3250	2255	1½	2	2	2	3	3	3	3
	3500	2430	2	2	2	3	3	3	3	5
	3750	2605	2	2	3	3	3	3	3	5
	4000	2775	3	3	3	3	3	3	5	5
	4250	2950	3	3	3	3	3	5	5	5
HT380 115	4500	2240	2	2	3	3	3	3	5	
	5000	2485	3	3	3	3	3	5	5	5
	5500	2735	3	3	3	5	5	5	5	5
	6000	2985	5	5	5	5	5	5	5	7½
HT380 118	6500	2265	3	5	5	5	5	5	5	7½
	7000	2440	5	5	5	5	5	5	7½	7½
	7500	2615	5	5	5	5	5	7½	7½	7½
	8000	2785	5	5	5	7½	7½	7½	7½	7½
	8500	2960	5	5	7½	7½	7½	7½	7½	10
HT380 120	9000	2145	5	5	5	5	7½	7½	7½	
	9500	2260	5	5	5	7½	7½	7½	7½	
	10000	2380	5	5	5	7½	7½	7½	7½	10
	10500	2500	5	7½	7½	7½	7½	7½	10	10
	11000	2620	7½	7½	7½	7½	7½	10	10	10
HT380 122	11000	2155	5	7½	7½	7½	7½	7½	10	
	12000	2355	7½	7½	7½	7½	7½	10	10	15
	13000	2550	7½	7½	7½	10	10	10	10	15
	14000	2745	7½	10	10	10	10	15	15	15
	15000	2940	10	10	10	10	15	15	15	15
HT380 125	14000	2085	7½	7½	7½	7½	10			
	15000	2235	7½	7½	7½	10	10	10	15	
	16000	2385	7½	7½	7½	10	10	10	15	
	18000	2685	10	10	10	10	15	15	15	15
	20000	2980	10	15	15	15	15	15	20	20
HT380 130	22000	2365	10	10	10	15	15	15	15	
	24000	2580	10	15	15	15	15	15	20	20
	26000	2795	15	15	15	15	20	20	20	25
	28000	3010	15	15	15	20	20	20	20	25
	30000	3225	20	20	20	20	20	25	25	30

HT380 Direct Fire Heaters - Twin Blower Models Selection Chart

Unit Model	CFM Std. Air @ 70°	FPM Outlet Velocity	Total External Static Pressure (W.C.)							
			1/4" HP	3/8" HP	1/2" HP	3/4" HP	1" HP	1-1/4" HP	1-1/2" HP	2" HP
HT380 215	9000	2240	5	5	5	5	7½			
	9500	2365	5	5	5	5	7½	7½		
	10000	2485	5	5	5	7½	7½	7½	7½	
	10500	2610	5	5	7½	7½	7½	7½	7½	
	11000	2735	7½	7½	7½	7½	7½	7½	10	10
	11500	2860	7½	7½	7½	7½	7½	10	10	10
	12000	2985	7½	7½	7½	7½	10	10	10	15
HT380 218	12500	2175	7½	7½	7½	7½	7½			
	13000	2265	7½	7½	7½	7½	10	10		
	14000	2440	7½	7½	7½	10	10	10	15	
	15000	2615	7½	10	10	10	10	15	15	15
	16000	2785	10	10	10	10	15	15	15	15
	17000	2960	10	10	10	15	15	15	15	20
HT380 220	18000	2140	7½	10	10	10	15	15	15	
	19000	2260	10	10	10	10	15	15	15	
	20000	2380	10	10	10	15	15	15	15	20
	21000	2500	10	15	15	15	15	15	20	20
	22000	2620	15	15	15	15	15	20	20	20
	23000	2740	15	15	15	15	15	20	20	20
	24000	2860	15	15	15	15	20	20	20	25
	25000	2980	15	15	15	20	20	20	20	25
HT380 222	26000	3100	15	20	20	20	20	20	25	25
	25000	2450	15	15	15	15	20	20	20	25
	26000	2550	15	15	15	20	20	20	20	25
	27000	2650	15	15	15	20	20	20	20	25
	28000	2750	15	20	20	20	20	25	25	30
	29000	2850	20	20	20	20	25	25	25	30
	30000	2950	20	20	20	20	25	25	25	30
HT380 225	31000	3040	20	20	20	25	25	25	30	30
	30000	2235	15	15	15	15	20	20		
	32000	2385	15	15	15	20	20	20	25	
	34000	2535	15	20	20	20	20	25	25	30
	36000	2685	20	20	20	20	25	25	30	30
	38000	2835	20	20	20	25	25	30	30	40
	40000	2980	20	25	25	25	30	30	30	40
	42000	3130	25	25	25	30	30	40	40	40
HT380 230	44000	3280	25	30	30	30	40	40	40	40
	46000	3430	30	30	30	40	40	40	40	50
	44000	2365	20	20	20	25	25	30		
	48000	2580	20	25	25	25	30	30	40	
	52000	2800	25	25	30	30	40	40	40	50
	56000	3010	30	30	30	40	40	40	40	50
	60000	3225	40	40	40	40	40	50	50	50
HT380 233	64000	3440	40	40	40	50	50	50	50	60
	60000	2490	30	30	30	40	40	40	50	
	65000	2695	40	40	40	40	40	50	50	60
	70000	2905	40	40	40	50	50	50	60	60
	75000	3110	50	50	50	50	60	60	60	75
HT380 240	70000	2305	30	30	40	40	40	50	50	60
	75000	2470	40	40	40	40	50	50	60	60
	80000	2635	40	40	40	50	50	60	60	75
	85000	2795	40	50	50	50	60	60	60	75
	90000	2960	50	50	50	60	60	60	75	75
	95000	3125	50	60	60	60	75	75	75	100
	100000	3290	60	60	60	75	75	75	100	100

HT380 Twin Blower Models- Burner Performance Table

Unit Model	CFM Std. Air @ 70°	70° Rise	80° Rise	90° Rise	100° Rise	110° Rise	120° Rise
HT380 215	9000	740	845	951	1057	1162	1268
	9500	781	892	1004	1115	1227	1338
	10000	822	939	1057	1174	1291	1409
	10500	863	986	1109	1233	1356	1479
	11000	904	1033	1162	1291	1420	1550
	11500	945	1080	1215	1350	1485	1620
	12000	986	1127	1268	1409	1550	1690
HT380 218	12500	1027	1174	1321	1467	1614	1761
	13000	1068	1221	1373	1526	1679	1831
	14000	1150	1315	1479	1643	1808	1972
	15000	1233	1409	1585	1761	1937	2113
	16000	1315	1503	1690	1878	2066	2254
	17000	1397	1597	1796	1996	2195	2395
HT380 220	18000	1479	1690	1902	2113	2324	2536
	19000	1561	1784	2007	2230	2453	2677
	20000	1643	1878	2113	2348	2583	2817
	21000	1726	1972	2219	2465	2712	2958
	22000	1808	2066	2324	2583	2841	3099
	23000	1890	2160	2430	2700	2970	3240
	24000	1972	2254	2536	2817	3099	3381
	25000	2054	2348	2641	2935	3228	3522
	26000	2137	2442	2747	3052	3357	3663
HT380 222	25000	2054	2348	2641	2935	3228	3522
	26000	2137	2442	2747	3052	3357	3663
	27000	2219	2536	2853	3170	3487	3803
	28000	2301	2630	2958	3287	3616	3944
	29000	2383	2723	3064	3404	3745	4085
	30000	2465	2817	3170	3522	3874	4226
	31000	2547	2911	3275	3639	4003	4367

HT380 Twin Blower Models - Burner Performance Table cont.

Unit Model	CFM Std. Air @ 70°	70° Rise	80° Rise	90° Rise	100° Rise	110° Rise	120° Rise
HT380 225	30000	2465	2817	3170	3522	3874	4226
	32000	2630	3005	3381	3757	4132	4508
	34000	2794	3193	3592	3991	4390	4790
	36000	2958	3381	3803	4226	4649	5071
	38000	3123	3569	4015	4461	4907	5353
	40000	3287	3757	4226	4696	5165	5635
	42000	3451	3944	4437	4930	5423	5917
	44000	3616	4132	4649	5165	5682	6198
	46000	3780	4320	4860	5400	5940	6480
HT380 230	44000	3616	4132	4649	5165	5682	6198
	48000	3944	4508	5071	5635	6198	6762
	52000	4273	4883	5494	6104	6715	7325
	56000	4602	5259	5917	6574	7231	7889
	60000	4930	5635	6339	7043	7748	8452
	64000	5259	6010	6762	7513	8264	9016
HT380 233	60000	4930	5635	6339	7043	7748	8452
	65000	5341	6104	6867	7630	8393	9157
	70000	5752	6574	7396	8217	9039	9861
	75000	6163	7043	7924	8804	9685	10565
HT380 240	70000	5752	6574	7396	8217	9039	9861
	75000	6163	7043	7924	8804	9685	10565
	80000	6574	7513	8452	9391	10330	11270
	85000	6985	7983	8980	9978	10976	11974
	90000	7396	8452	9509	10565	11622	12678
	95000	7807	8922	10037	11152	12267	13383
	100000	8217	9391	10565	11739	12913	14087

HT380 Twin Blower Models - Burner Performance Table

Unit Model	CFM Std. Air @ 70°	70° Rise	80° Rise	90° Rise	100° Rise	110° Rise	120° Rise
HT380 215	9000	740	845	951	1057	1162	1268
	9500	781	892	1004	1115	1227	1338
	10000	822	939	1057	1174	1291	1409
	10500	863	986	1109	1233	1356	1479
	11000	904	1033	1162	1291	1420	1550
	11500	945	1080	1215	1350	1485	1620
	12000	986	1127	1268	1409	1550	1690
HT380 218	12500	1027	1174	1321	1467	1614	1761
	13000	1068	1221	1373	1526	1679	1831
	14000	1150	1315	1479	1643	1808	1972
	15000	1233	1409	1585	1761	1937	2113
	16000	1315	1503	1690	1878	2066	2254
	17000	1397	1597	1796	1996	2195	2395
HT380 220	18000	1479	1690	1902	2113	2324	2536
	19000	1561	1784	2007	2230	2453	2677
	20000	1643	1878	2113	2348	2583	2817
	21000	1726	1972	2219	2465	2712	2958
	22000	1808	2066	2324	2583	2841	3099
	23000	1890	2160	2430	2700	2970	3240
	24000	1972	2254	2536	2817	3099	3381
	25000	2054	2348	2641	2935	3228	3522
	26000	2137	2442	2747	3052	3357	3663

HT380 Twin Blower Models - Burner Performance Table cont.

Unit Model	CFM Std. Air @ 70°	70° Rise	80° Rise	90° Rise	100° Rise	110° Rise	120° Rise
HT380 222	25000	2054	2348	2641	2935	3228	3522
	26000	2137	2442	2747	3052	3357	3663
	27000	2219	2536	2853	3170	3487	3803
	28000	2301	2630	2958	3287	3616	3944
	29000	2383	2723	3064	3404	3745	4085
	30000	2465	2817	3170	3522	3874	4226
	31000	2547	2911	3275	3639	4003	4367
HT380 225	30000	2465	2817	3170	3522	3874	4226
	32000	2630	3005	3381	3757	4132	4508
	34000	2794	3193	3592	3991	4390	4790
	36000	2958	3381	3803	4226	4649	5071
	38000	3123	3569	4015	4461	4907	5353
	40000	3287	3757	4226	4696	5165	5635
	42000	3451	3944	4437	4930	5423	5917
	44000	3616	4132	4649	5165	5682	6198
	46000	3780	4320	4860	5400	5940	6480
HT380 230	44000	3616	4132	4649	5165	5682	6198
	48000	3944	4508	5071	5635	6198	6762
	52000	4273	4883	5494	6104	6715	7325
	56000	4602	5259	5917	6574	7231	7889
	60000	4930	5635	6339	7043	7748	8452
	64000	5259	6010	6762	7513	8264	9016
HT380 233	60000	4930	5635	6339	7043	7748	8452
	65000	5341	6104	6867	7630	8393	9157
	70000	5752	6574	7396	8217	9039	9861
	75000	6163	7043	7924	8804	9685	10565
HT380 240	70000	5752	6574	7396	8217	9039	9861
	75000	6163	7043	7924	8804	9685	10565
	80000	6574	7513	8452	9391	10330	11270
	85000	6985	7983	8980	9978	10976	11974
	90000	7396	8452	9509	10565	11622	12678
	95000	7807	8922	10037	11152	12267	13383
	100000	8217	9391	10565	11739	12913	14087

HT380 Series Gas Piping Layout

COMPONENT IDENTIFICATION:

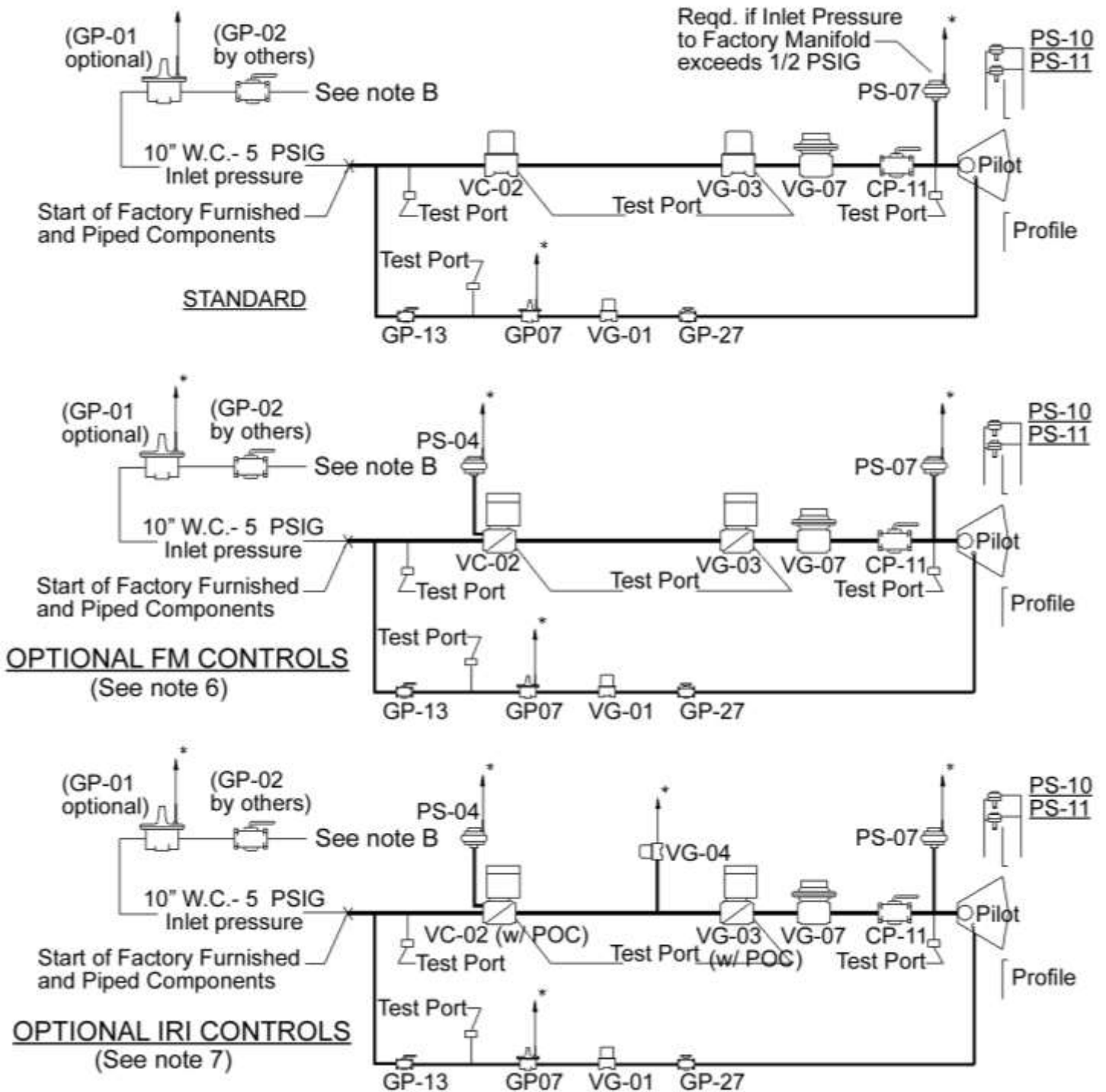
GP-01	High gas pressure regulator	VG-03	Auxiliary gas valve
GP-02	Main gas shut-off valve	VG-04	N/O vent valve
GP-09	Pilot gas pressure regulator	VG-07	Modulating valve
GP-11	Main test firing shut-off valve	PS-04	Low gas pressure switch
GP-13	Pilot gas shut-off valve	PS-07	High gas pressure switch
GP-27	Orifice needle valve	PS-10	High velocity pressure switch
VG-01	Pilot gas valve	PS-11	Low velocity pressure switch
VG-02	Main gas valve		

NOTES:

1. Vent limiting devices provided wherever possible, when venting is required * the venting to outside is by others on indoor units and furnished by factory on outdoor units.
2. Units with 900 MBH and less use a pressure regulator (not shown) for high fire setting.
3. 4,400 MBH and above will require a minimum inlet pressure of 1 PSIG. For inlet pressures under 1 PSIG - Consult factory.
4. For inlet pressure under 10" W.C. - Consult factory.
5. Units that are listed to the Z83.1 standard, carry both ETL and CETL approvals.
6. Standard manifold meets EM requirements for inputs under 2,500 MBH for ETL listed units.
7. Standard manifold meets IRI requirements for ETL listed units.
8. High gas pressure regulator required if inlet pressure exceeds 1/2 PSIG for inputs up to and including 900 MBH or inlet pressures over 5 PSIG for inputs greater than 900 MBH.

See next page for drawings

HT380 Series Gas Piping Layout cont.



MDT Control System

APPLICATION:

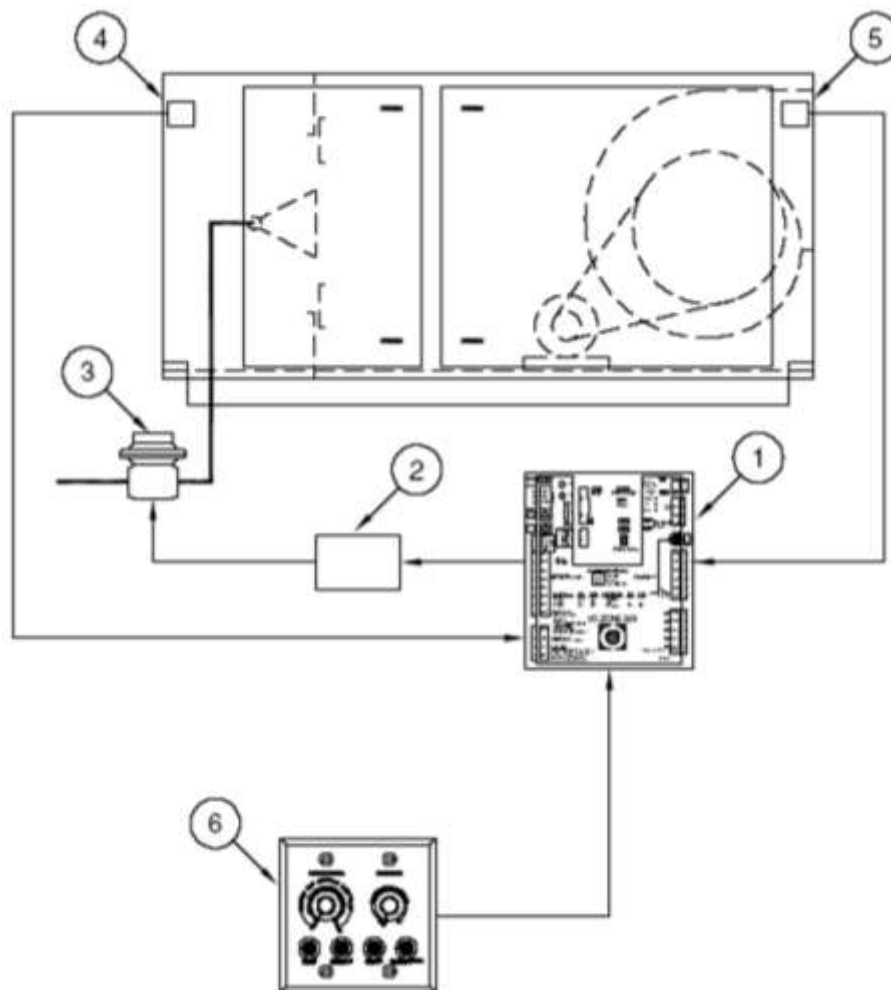
Modulating Discharge Temperature Control

COMPONENT I.D.

1. Unit DDC Controller
2. Signal Conditioner
3. Modulating Gas Valve
4. Inlet Air Sensor
5. Discharge Air Sensor
6. Remote Control Station

INCLUDES:

Discharge air sensor (5) mounted in unit discharge with remote mounted 4 x 4 box cover (6) including manual potentiometer to enable unit and adjust temperature set point, Fan On Light, Burner On Light, and Cool On Light. Additional potentiometer is provided if optional return damper section for manual or mixed air control is ordered.



SET here

MRT Control System

APPLICATION:

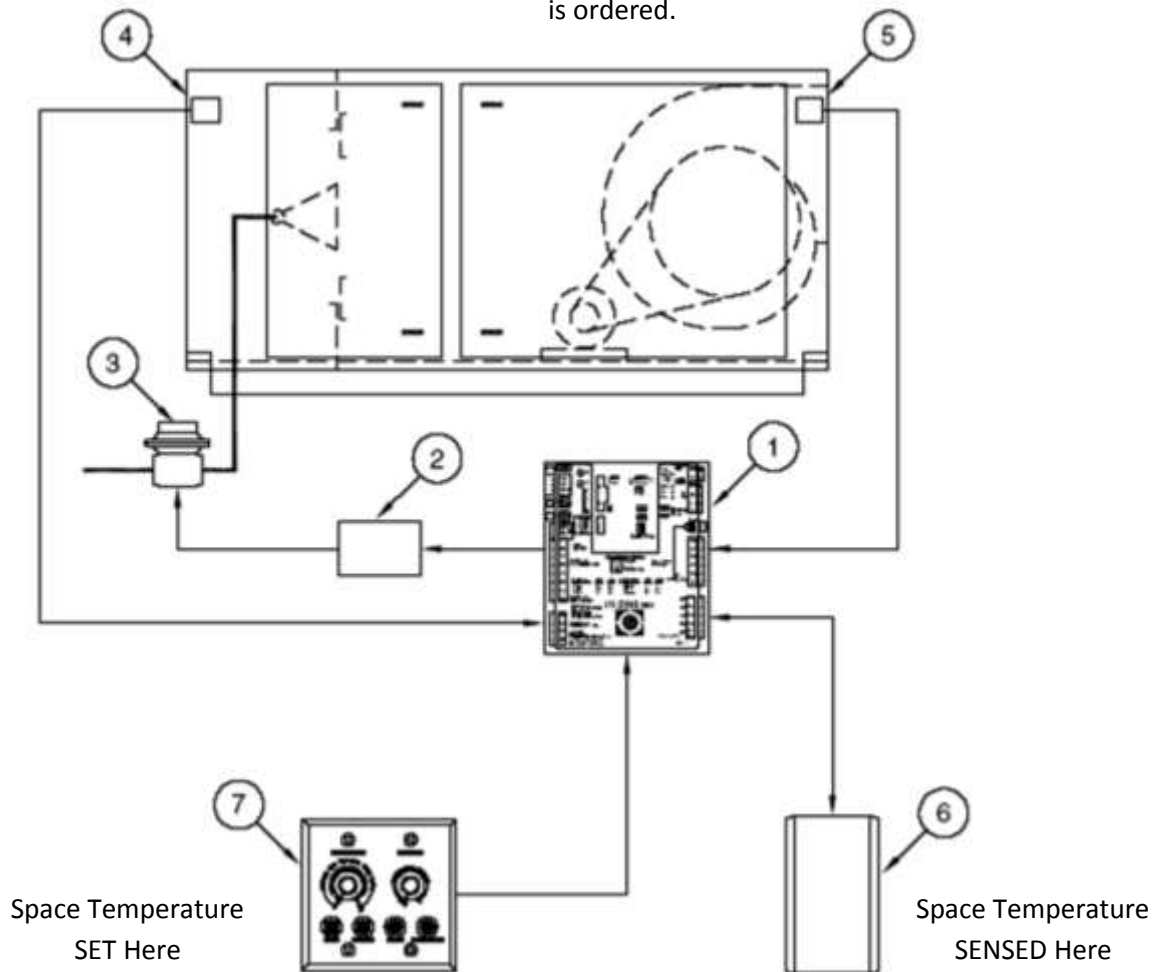
Modulating Room Temperature Control

COMPONENT I.D.

- 7. Unit DDC Controller
- 8. Signal Conditioner
- 9. Modulating Gas Valve
- 10. Inlet Air Sensor
- 11. Discharge Air Sensor
- 12. Remote Control Station

INCLUDES:

Discharge air sensor (5) mounted in unit discharge with remote mounted 4 x 4 box cover (7) including manual potentiometer to enable unit and adjust temperature set point, Fan On Light, Burner On Light, and Cool On Light. Also includes RS-std room sensor (6) (does not allow remote room set point adjustment). Additional potentiometer is provided if optional return damper section for manual or mixed air control is ordered.



MRT Pro Control System

APPLICATION:

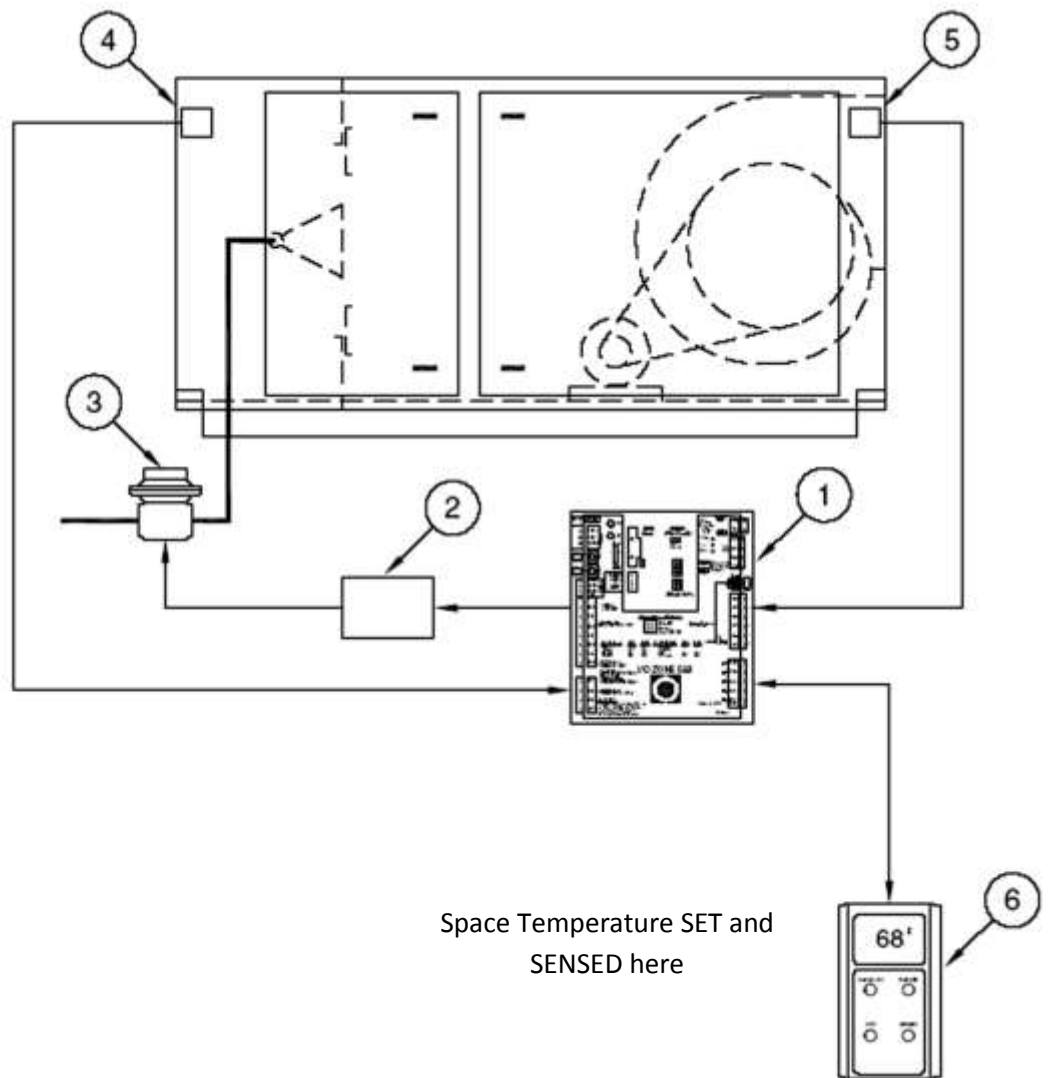
Modulating Room Temperature Control with RS-Pro room sensor allowing after hours unit enable, room set point adjustment and digital temperature readout.

COMPONENT I.D.

1. Unit DDC Controller
2. Signal Conditioner
3. Modulating Gas Valve
4. Inlet Air Sensor
5. Discharge Air Sensor
6. Room Thermostat

INCLUDES:

Discharge air sensor (5) mounted in unit discharge with remote mounted RS-Pro room sensor (6) with push buttons for room set point adjustment and digital temperature readout. On units with optional return air damper section a remote mounted 4 x 4 box cover is provided with potentiometer for manual or mixed air control.



MRT Expert Control System

APPLICATION:

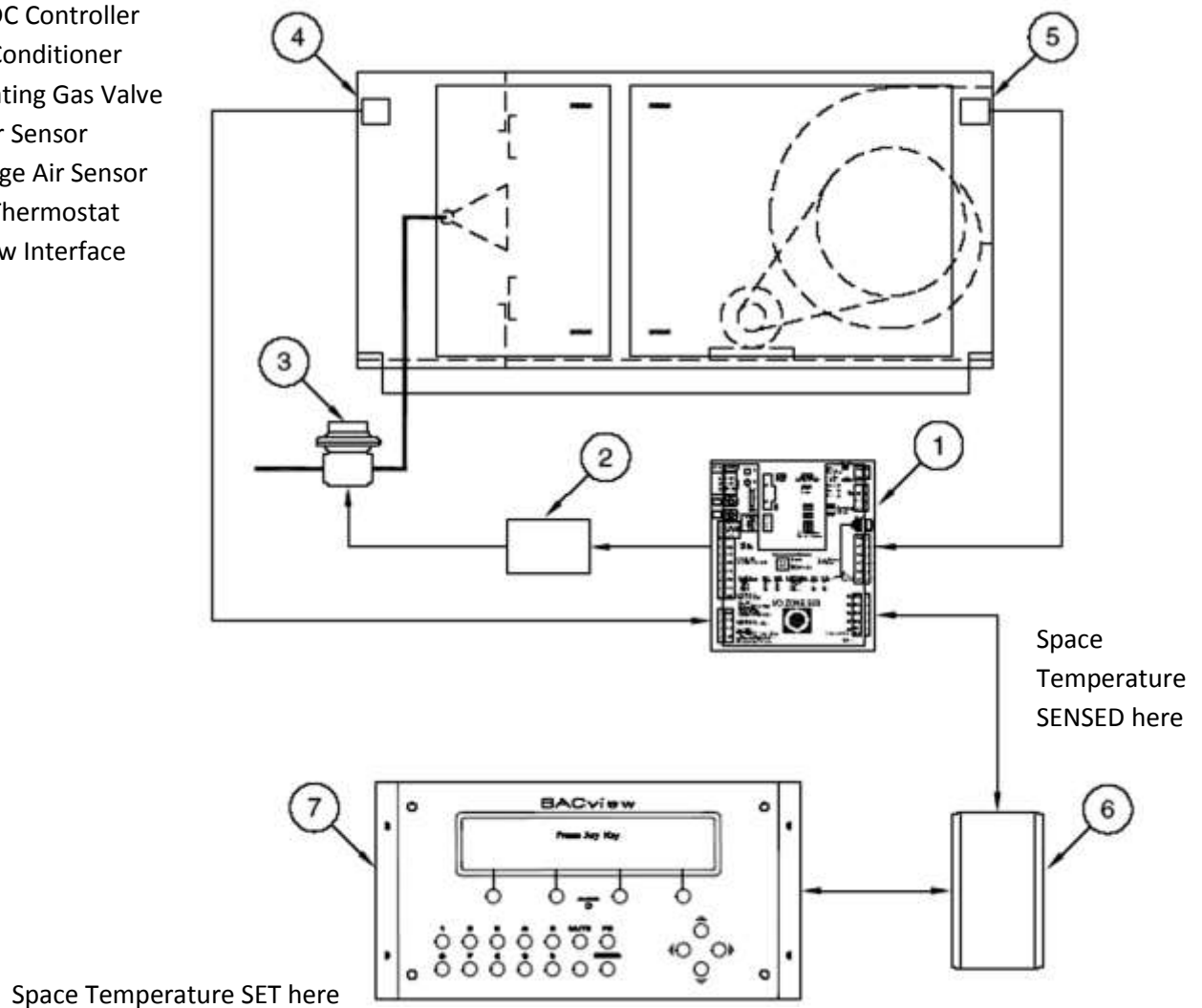
Modulating Room Temperature Control with BACView controller allowing after hours unit enable, room set point adjustment, operating feedback, monitoring of alarm status and digital temperature readout with RS-std room sensor.

INCLUDES:

Discharge air sensor (5) mounted in unit discharge with remote mounted BACView controller (7) to set space temp, operating schedules, and optional damper control set points. Service information, operating feedback and alarm status can also be monitored. Also includes a RS-std room sensor (6).

COMPONENT I.D.

1. Unit DDC Controller
2. Signal Conditioner
3. Modulating Gas Valve
4. Inlet Air Sensor
5. Discharge Air Sensor
6. Room Thermostat
7. BACView Interface

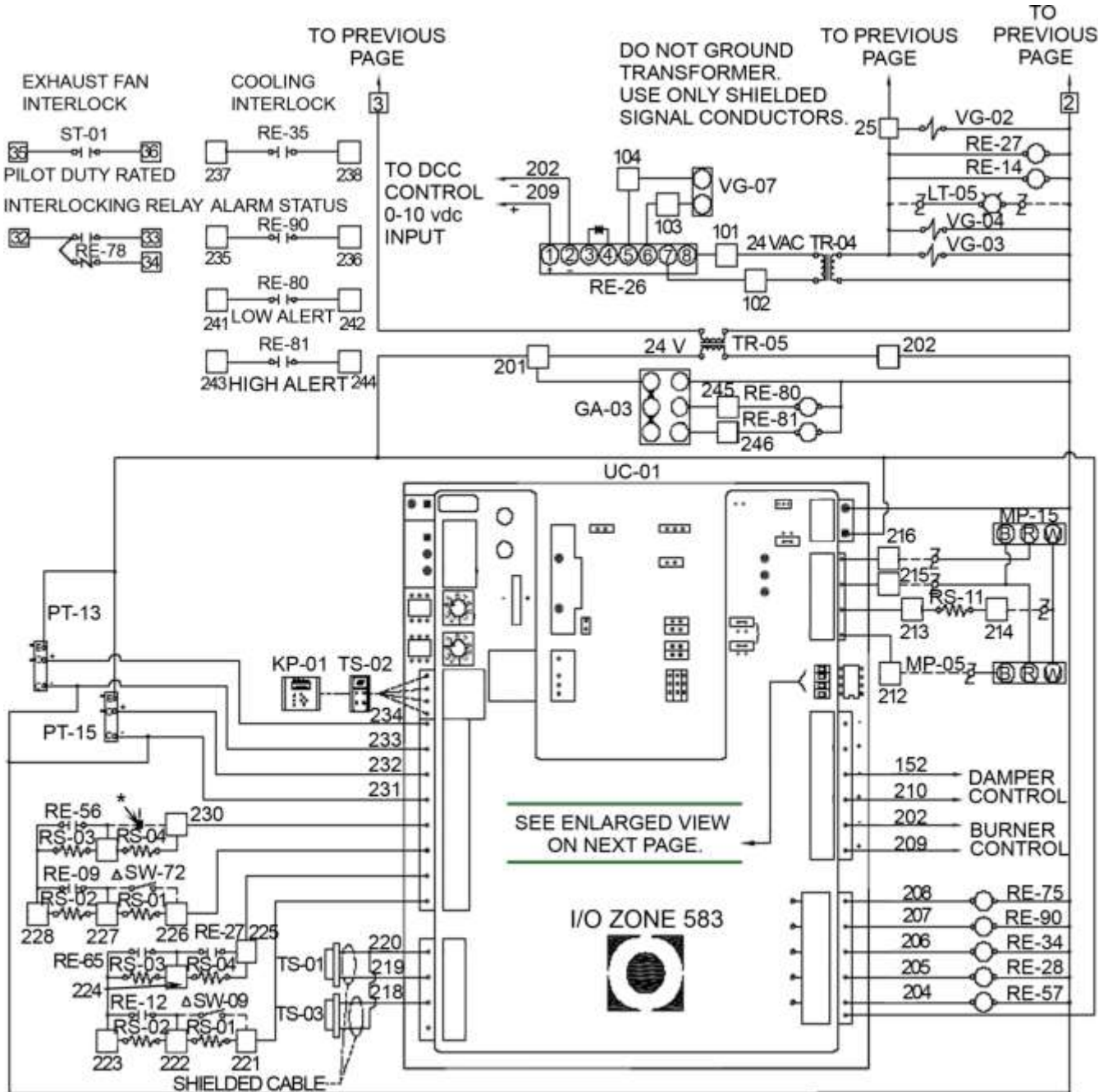


Typical Wiring Diagram - Model HT380- Page 1

COMPONENT IDENTIFICATION

CB-09	CONTROL CIRCUIT TRANSFORMER BREAKER	PS-10	HIGH VELOCITY SWITCH
FL-02	HIGH TEMPERATURE LIMIT SWITCH	PS-11	LOW VELOCITY SWITCH
FL-05	SUPPLY AIR FIRESTAT (OPTIONAL)	PS-12	CLOGGED FILTER SWITCH (OPTIONAL)
FL-06	RETURN AIR FIRESTAT (OPTIONAL)	PT-13	BUILDING PRESSURE TRANSDUCER (OPTIONAL)
GA-03	COMBINATION CO & NO2 DETECTOR (OPTIONAL)	PT-15	FLOW STATION PRESSURE TRANSDUCER (OPTIONAL)
KP-01	KEYPAD / DISPLAY MODULE (OPTIONAL)	RE-02	FLAME SAFEGUARD RELAY
LT-05	BURNER ON LIGHT (REMOTE)	RE-09	FLAME FAILURE RELAY
LT-15	FAN ON LIGHT (REMOTE)	RE-12	CLOGGED FILTER RELAY (OPTIONAL)
LT-31	COOLING ON LIGHT (REMOTE)	RE-14	HOLDING RELAY (OPTIONAL)
LT-59	CLOGGED FILTER LIGHT (REMOTE)	RE-26	ELECTRONIC RELAY
MP-05	DAMPER CONTROL POTENTIOMETER (OPTIONAL)	RE-27	BURNER STATUS RELAY
MP-15	UNIT ENABLE POTENTIOMETER	RE-28	BURNER ENABLE RELAY
MT-01	MAIN SUPPLY FAN MOTOR	RE-34	COOLING ENABLE RELAY
MT-12	DISCHARGE DAMPER MOTOR (OPTIONAL)	RE-35	COOLING INTERLOCK RELAY
MT-13	INLET DAMPER MOTOR (OPTIONAL)	RE-56	SAFETY CIRCUIT STATUS RELAY
MT-14	MIXING BOX DAMPER MOTOR (OPTIONAL)	RE-57	UNIT ENABLE RELAY
OL-01	MAIN FAN MOTOR OVERLOAD	RE-65	FAN STATUS RELAY
PS-04	LOW GAS PRESSURE SWITCH (OPTIONAL)	RE-75	FLAME SUPERVISION SWITCHING RELAY
PS-07	HIGH GAS PRESSURE SWITCH (OPTIONAL)	RE-78	INTERLOCKING RELAY (OPTIONAL)
		RE-80	LOW ALERT RELAY (OPTIONAL)
		RE-81	HIGH ALERT RELAY (OPTIONAL)
		RE-90	ALARM STATUS RELAY
		RS-01	RESISTOR 1K OHM
		RS-02	RESISTOR 2K OHM
		RS-03	RESISTOR 4.02K OHM

Typical Wiring Diagram - Model HT380- Page 3



* JUMPER HERE FOR MAT DAMPER CONTROL

Typical Wiring Diagram - Model HT380- Page 4

